

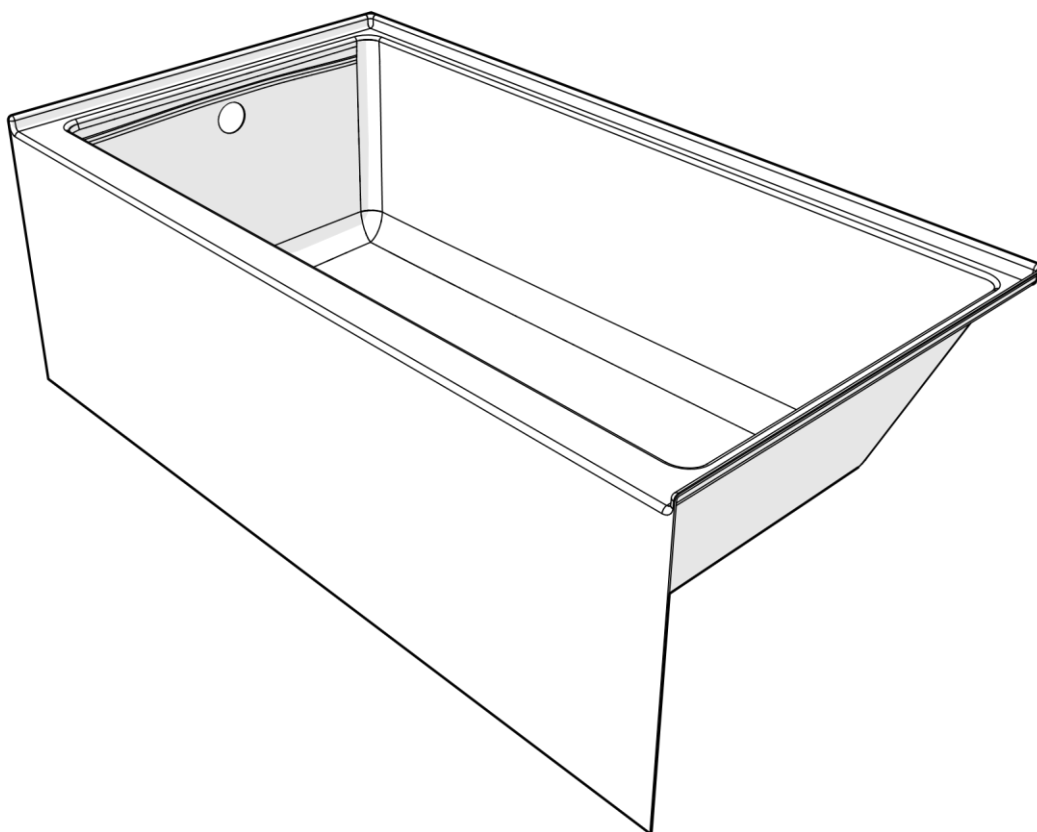
Cascade

Model

Alcove bathtub

BG 2763-6030L | BG 2763-6030R
BG 2763-6032L | BG 2763-6032R
BG 2763-6036L | BG 2763-6036R

INSTALLATION MANUAL



● **Table of Contents**

IMPORTANT 2
CARE FOR YOUR BATHTUB 2
SPECIFICATION 3
1. TOOLS AND MATERIALS REQUIRED..... 3
2. INSTALL OVERFLOW AND DRAIN. 4
3. PREPARE DRAINING PIPE AND FRAMING. 5
4. LEVELING THE BATHTUB. 6
5. TESTING THE DRAINAGE. 6
6. SECURING THE BATHTUB. 6
7. FINISHING. 7

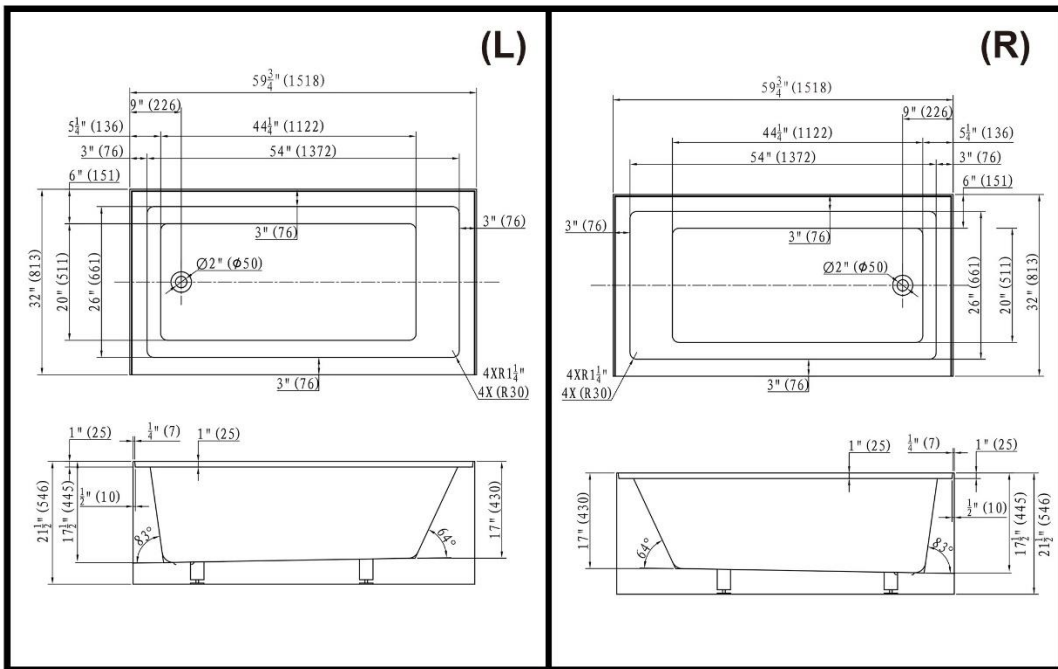
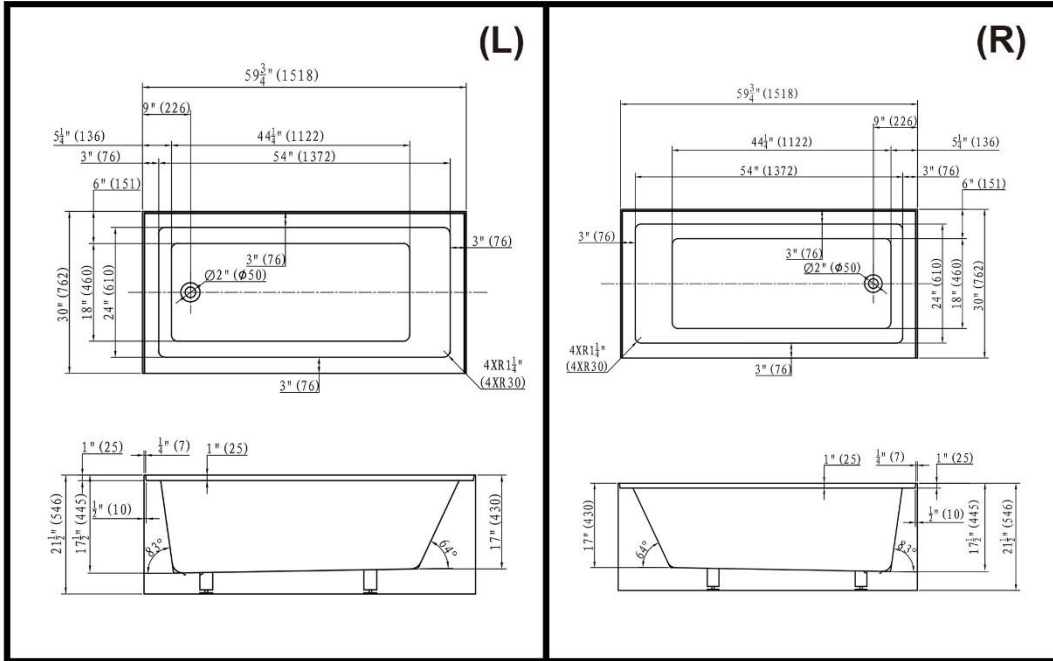
● **IMPORTANT**

- *Read this manual carefully and completely before proceeding.*
- *It is recommended that you wear safety glasses at all times during the installation.*
- *This product is covered with a protective film;
Do not remove it until the installation is completed to provide additional protection.
However, do remove film where two surfaces are in permanent contact during the installation.*
- *Prior to installation of the bathtub, all framing and plumbing work must be completed by a qualified professional in accordance with local established building codes.
For renovation work, existing shower surfaces must be removed to accommodate framing requirements.
Ensure that outer wall is properly insulated, and that a vapor barrier has been installed in accordance with local established building codes.*

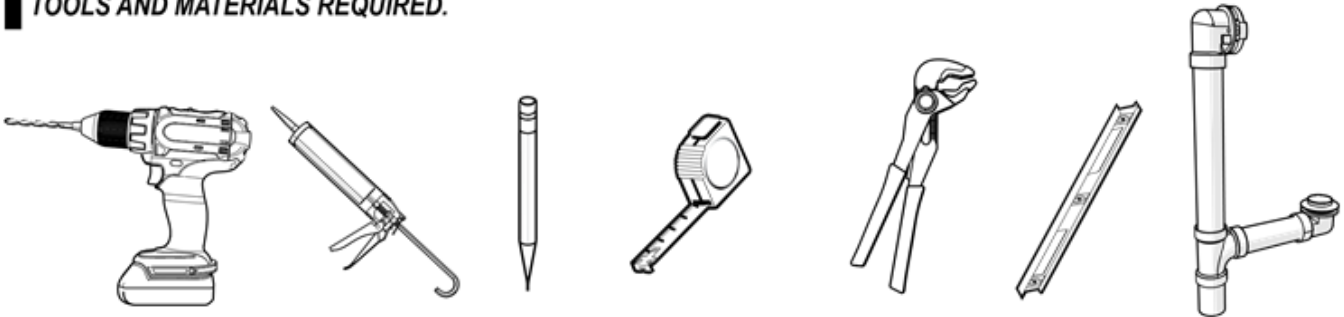
● **Care for your acrylic bathtub**

- *In order to protect the acrylic surface of your bathtub, never use scouring powder pads or other strong solvents. Only clean it with a mild detergent diluted in water or a detergent formulated specifically for acrylic.*

Product specifications are subject to change without notice. Use the installation instructions supplied with the product.

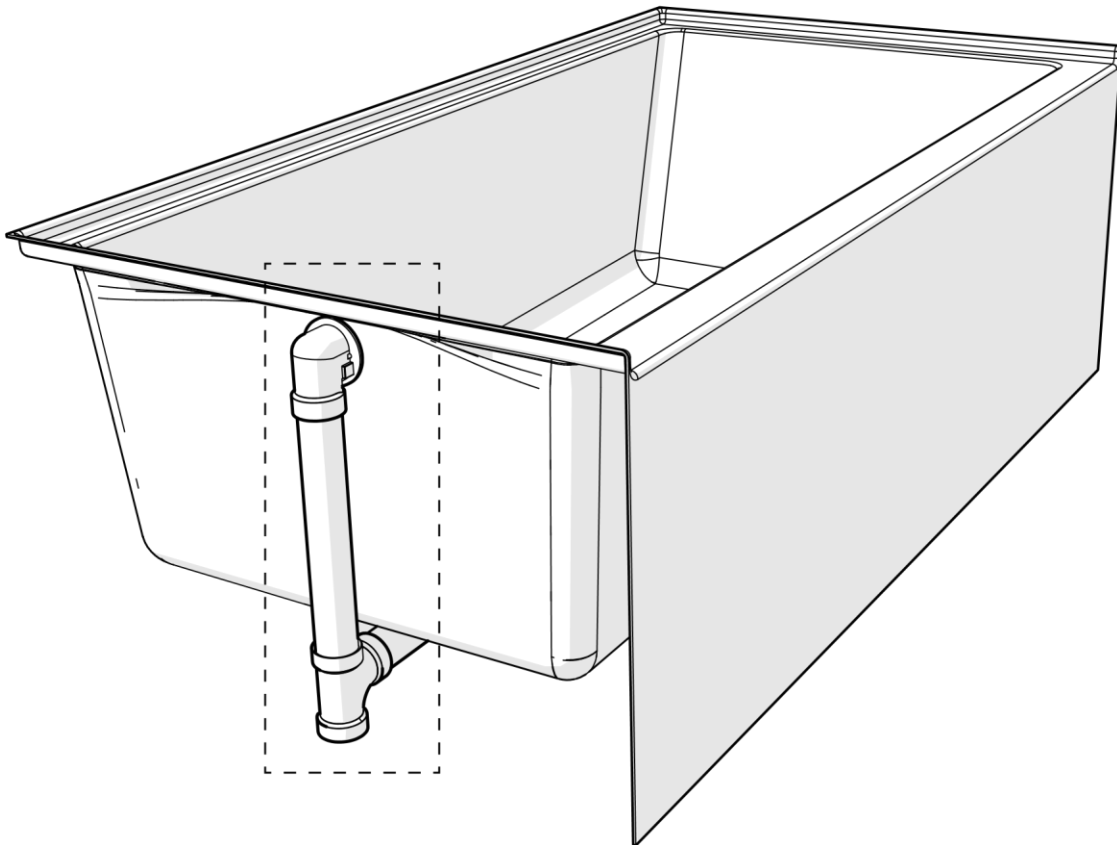


TOOLS AND MATERIALS REQUIRED.



1 **INSTALL OVERFLOW AND DRAIN.**

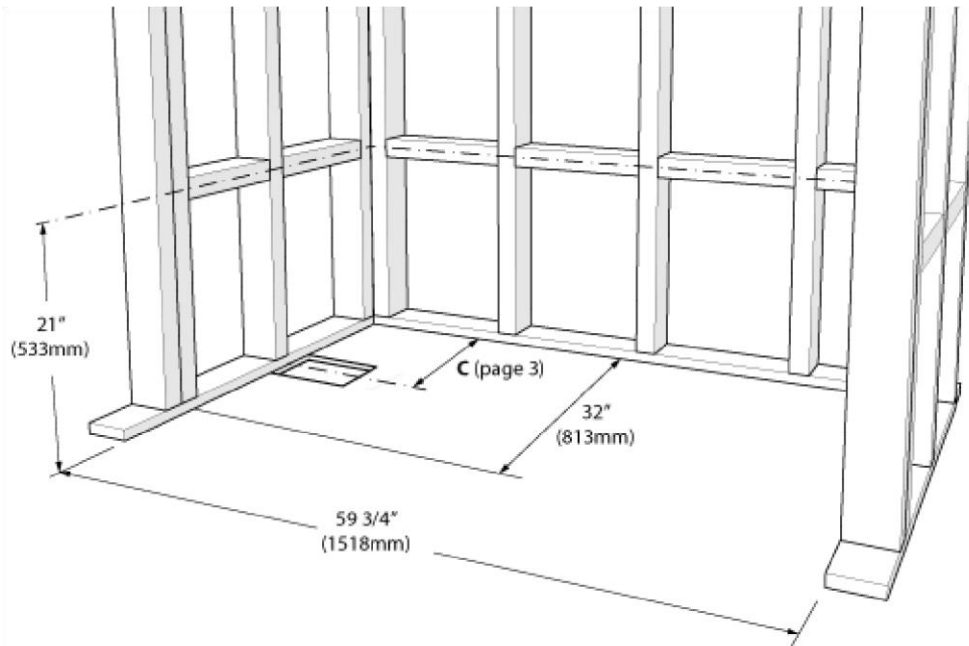
Install the overflow and drain assembly onto the tub according to manufacturer's instructions.



2 PREPARE DRAINING PIPE AND FRAMING.



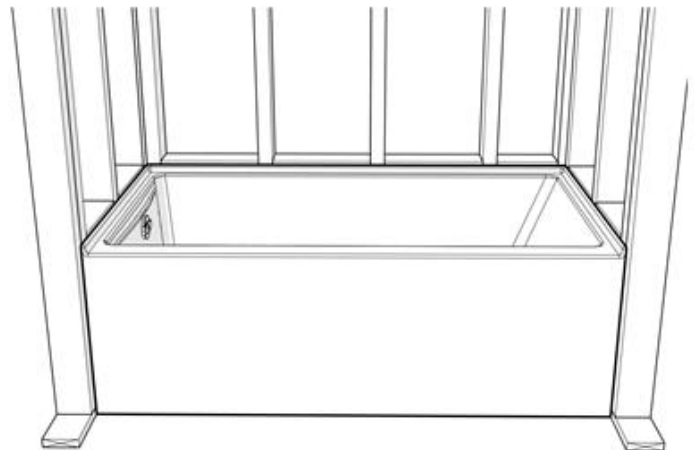
First ensure that the subfloor is level.
If needed, level subfloor with leveling compound or mortar over the entire area of installation.



2A. Cut subfloor to accommodate plumbing in compliance with local plumbing and building code

Verify your bathtub for final dimensions.

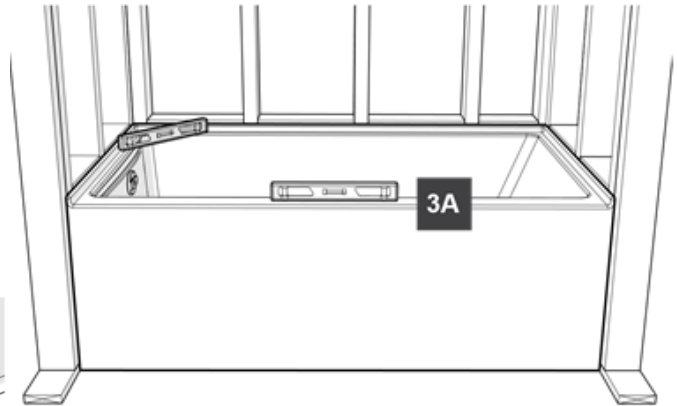
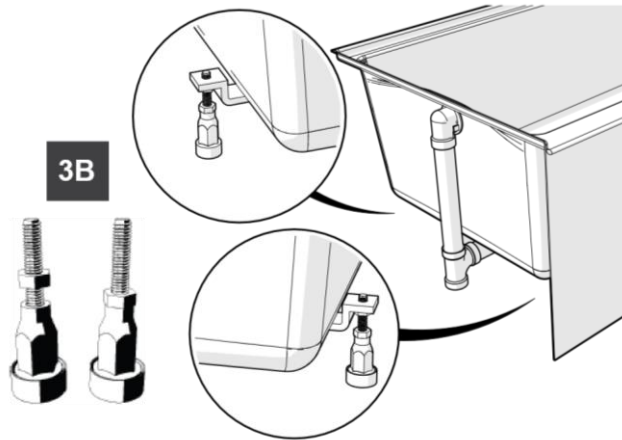
2B. Position bathtub. Verify that the draining pipe location matches the actual location of the bathtub drain. Remove the bathtub.



3 LEVELING THE BATHTUB

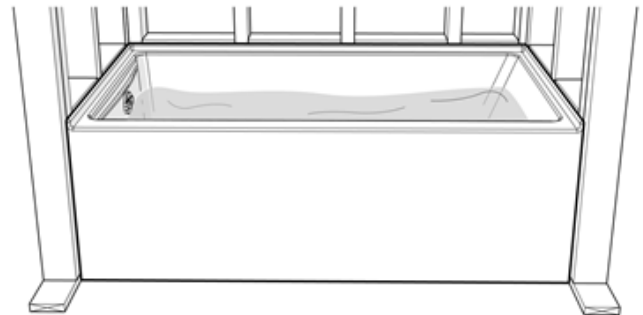
3A. The bathtub can be leveled by adjusting the feet. **Check your adjustments with a level.**

3B. Lock the adjustment by fighting the hexagon nut.



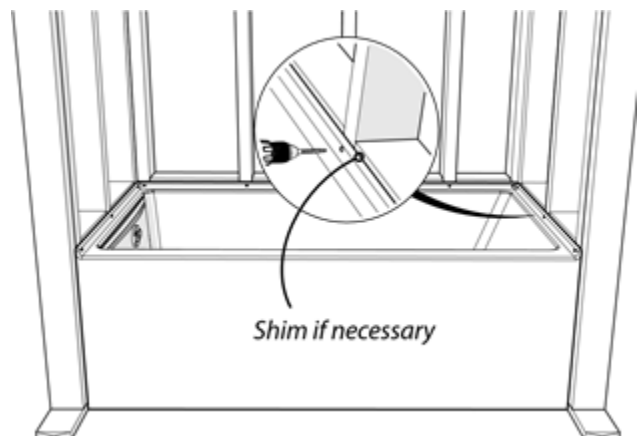
4 TESTING THE DRAINAGE.

4. The bathtub must be tested before installation is completed. Fill the tub to the overflow and inspect it for leaks. Tighten any loose connections.



5 FASTEN THE BATHTUB.

5. Fasten bathtub to studs framing



6 FINISHING.

6. Apply silicone sealant to seal the joints between the bathtub Rim and the finished wall.

