

FAX NO.  
(904) 641-1697

# Coastal Industries Inc.

P.O BOX 16091  
JACKSONVILLE, FLORIDA 32245

TELEPHONE NO.  
(904) 642-3970

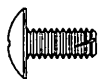
## Paragon NEO ANGLE UNIT



# Parts List

KEY LETTER	PART NUMBER	DESCRIPTION	QUANTITY
<b>A</b>	—	SILL	
a1	900	Sill	1
a2	900	Sill Right Panel	1
a3	900	Sill Left Panel	1
<b>B</b>	—	HEADER	
b1	900	Header	1
b2	900	Header Right Panel	1
b3	900	Header Left Panel	1
<b>C</b>	901	DAM STRIP (top & bottom)	2
<b>D</b>	903	WALL JAMB	2
<b>E</b>	909	45 DEGREE CORNER POST	2
<b>F</b>	926	STRIKE JAMB	1
<b>G</b>	—	DOOR ASSEMBLY	
g1	920	Hinge Post	1
g2	922	Hinge Stile	1
g3	924	Strike Stile	1
g4	925	Rails	2
g5	CP932	Hinge Pins (not shown)	2
g6	CP148TW	Hinge Washers (not shown)	2
g7	C921B	Hinge Sleeve (not shown)	1
g8	C940B	Glazing Vinyl (not shown)	—
g9	98-42	Magnetic Strip (not shown)	1
g10	6-8114FHP	Door Assembly Screws	4
g11	—	Door Assembly Glass	1
<b>H</b>	927	DRIP RAIL	1
h1	4403	Two sided tape	1
h2	C176G	Vinyl Sweep	1
<b>I</b>	CP933	DRIP CAP PLUG (set)	1
<b>J</b>	930	DOOR HANDLES (set)	1
<b>K</b>	6114FHP	DOOR HANDLE SCREWS	2
<b>L</b>	—	GLASS (panel)	2
<b>M</b>	C941G	VERTICAL GLAZING	—
<b>N</b>	C942G	HORIZONTAL GLAZING	—
<b>O</b>	6-8114PHP	1-1/4" INSTALLATION SCREWS	6
<b>P</b>	1329	PLASTIC SCREW ANCHORS	6
<b>Q</b>	CP938	SETTING BLOCKS	4
<b>R</b>	313.45C	CORNER BRACKET, HEADER (45 degree)	4
<b>S</b>	838THP	#8 x 3/8" SCREWS (45 degree brackets)	16
<b>T</b>	638PHPT	#6 x 3/8" ADJUSTMENT SCREWS	12

## Screws shown full scale for reference



(S)\_838THP  
SCREW, HEADER BRACKET



(T)\_638PHPT  
SCREW, ADJUSTMENT



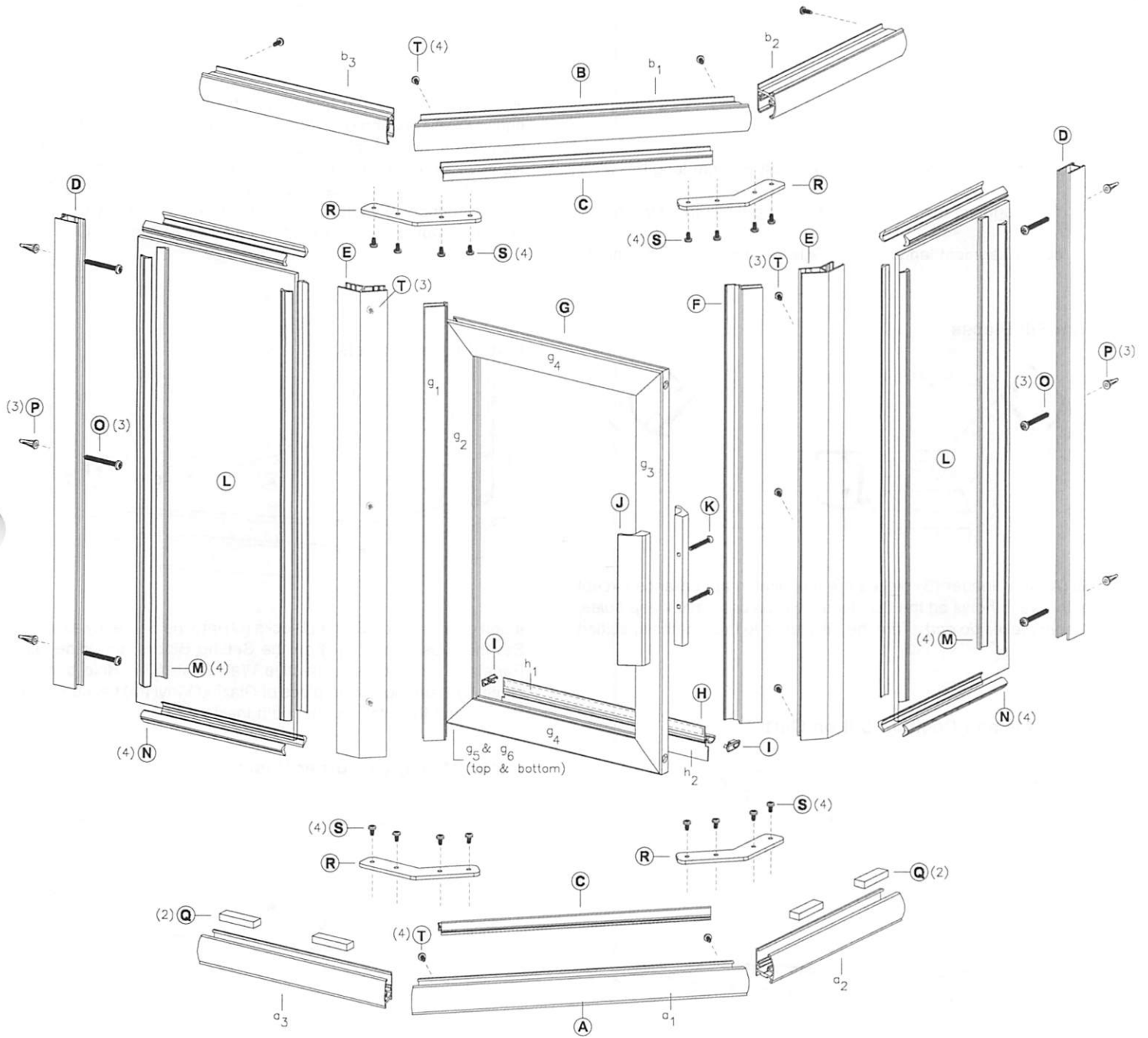
(K)\_6114FHP  
SCREW, DOOR HANDLE



(O)\_6-8114PHP  
SCREW, INSTALLATION

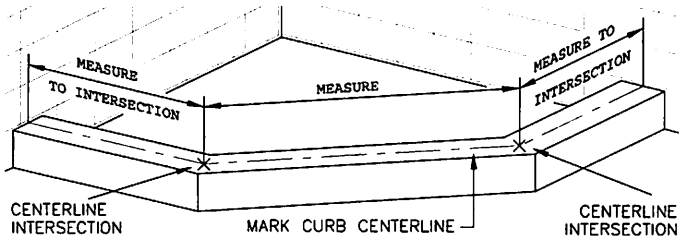
# Paragon Neo-Angle

(exploded view)



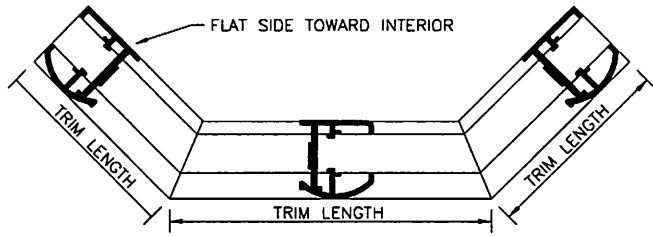
**Mark Curb Centerline & Measure Segments**

Pencil mark the curb centerline as shown. Measure the left, center and right segment lengths and jot down their measurements in the spaces provided below. These are critical dimensions, so make sure to double-check your measurements.



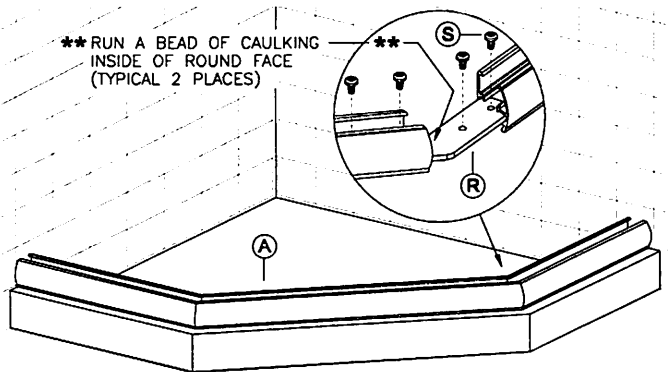
- left segment length \_\_\_\_ + 1/4" = left Sill trim length
- right segment length \_\_\_\_ + 1/4" = right Sill trim length
- center segment length \_\_\_\_ + 9/16" = center Sill trim length

**Trim Sill Pieces**



Sill (A) and Header (B) pieces are identical in appearance except for the weep holes on the Sill pieces (*Sill pieces have weep holes; Header pieces do not*). Trim the Sill pieces to the lengths specified in step 1.

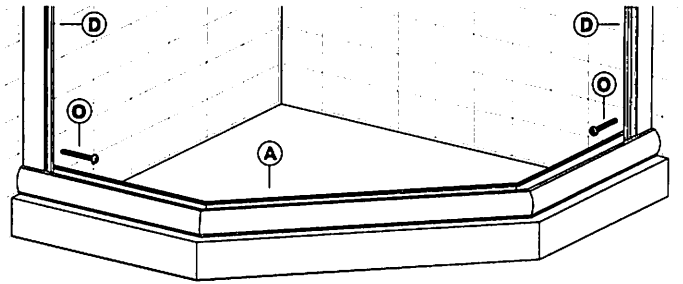
**Assemble and Position Sill on Curb**



Assemble Sill (A) by inserting Corner Brackets (R) into Sill pieces and bringing the pieces together (see figure below and exploded view - sheet 3).

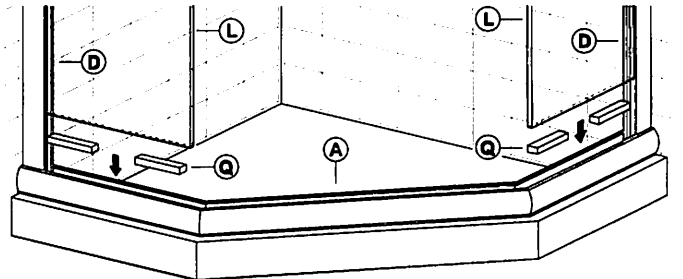
Using the Corner Bracket holes as guides, mark and drill the Sill pieces with a 9/64" drill bit. Secure the Corner Brackets to the Sill pieces with eight(8) #8 x 3/8" self tapping screws (S). Now run a bead of caulking on inside of crevice where Sill pieces Join to insure no leaks. Position Sill on curb. Temporarily tape Sill to curb to prevent movement.

**Position and Install Wall Jamb**



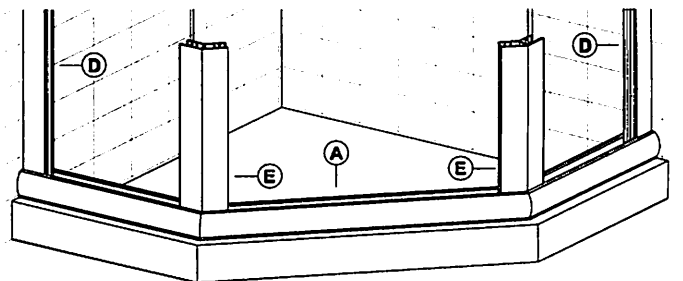
Place Wall Jamb (D) into ends of Sill (A) and up against the shower walls as shown. Plumb the Jamb, then pencil mark the installation hole locations on the shower walls (3 per Jamb). Remove Wall jamb. Using a 3/16 masonry bit, drill 1" deep installation holes in locations previously marked. Insert Plastic Screw Anchors (P) into holes. Reposition Jamb as before and secure to wall using six(6) 1-1/4" Installation Screws (O)

**Install Glass Panels**



Insert glass support Setting Blocks (Q) into the Sill cavity as shown. Set the Glass Panels (L) on the Setting Blocks and slide Glass Panels a 1/2" into its respective Wall Jamb (D). Hold panels in place by inserting a short piece of Glazing Vinyl (M) between Glass Panels and the Wall Jamb, both inside and out.

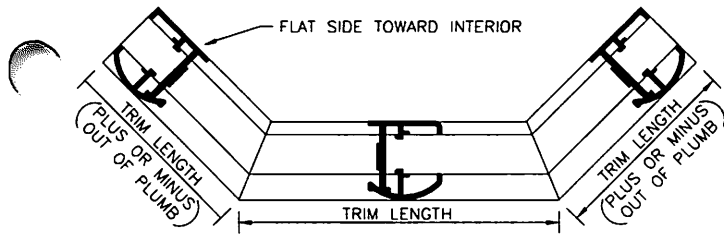
**Install 45 degree Corner Posts**



*Glass Panels must have a 1/2" insertion into their Wall Jamb and the 45 degree Corner Post in order for glazing vinyl to hold glass properly.*

Slide 45 degree Corner Posts (E) over the exposed edge of the Glass Panels and set them into Sill cavity as shown. Double check for 1/2" insertion before proceeding.

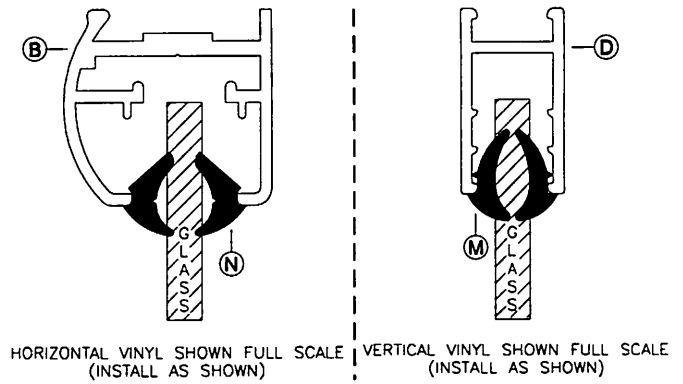
### Trim Header Pieces



Before trimming Header pieces (b2 & b3), remember to add or subtract any out of plumb discrepancies that might exist on the corresponding walls (as measured at top of Wall Jambes).

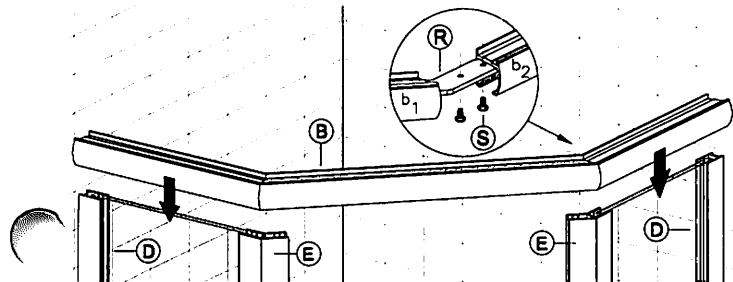
Trim Header (B) pieces to measurements specified in step 1 (plus or minus any out of plumb discrepancies).

### Insert Glazin Vinyls



Insert Vertical and Horizontal Glazing Vinyl (M & N) to secure the Glass Panels (L) in place. Use a vinyl roller to speed up installation.

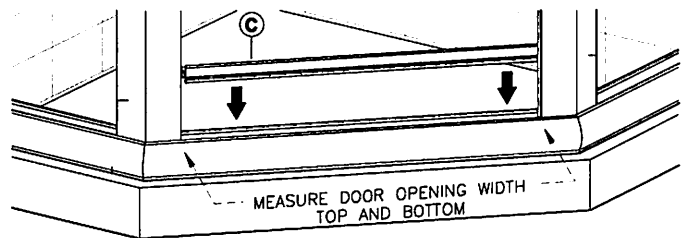
### Assemble and Position Header atop Verticals



Assemble Header (B) by inserting Corner Brackets (R) into Header pieces and bringing the pieces together (see figure below and exploded view - sheet 3).

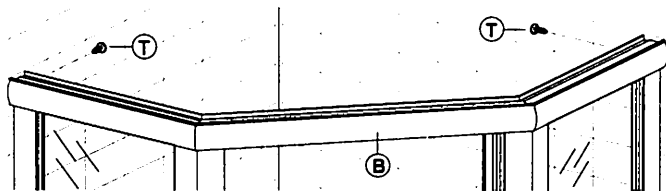
Using the Corner Bracket holes as guides, mark and drill the Header pieces with a 9/64" drill bit. Secure the Corner Brackets to the Header pieces with eight(8) #8 x 3/8" self tapping screws (S). Position Header atop verticals.

### Trim top & bottom Dam Strips



Measure the door opening width at Sill and Header levels. Trim top and bottom Dam Strips (C) to measurements obtained. With high lips toward exterior, position Dam Strips on the Header and Sill and snap them into place.

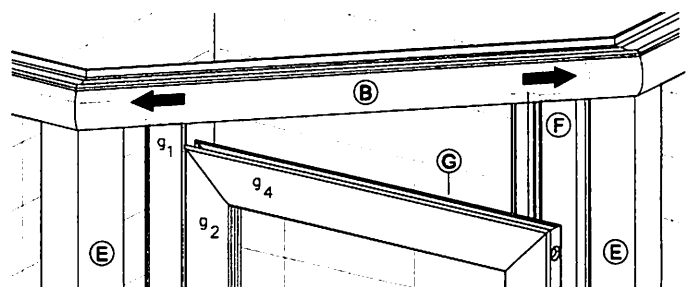
### Secure Header



TO PREVENT GLASS BREAKAGE  
SLIDE GLASS PANELS AWAY FROM WALL JAMBS BEFORE DRILLING HEADER

From interior, secure both ends of Header to Wall Jambes using one 638PHPT Installation Screw (T) at each end. To prevent glass breakage when drilling the Header, temporarily slide glass panel away from Wall Jambes. When done, re-center glass panels as before.

### Install Door Assembly



Insert the Door Assembly's Hinge Post (g1) into the Post from which it is to swing, then insert the Strike Post (F) into the post it will strike (see exploded view - sheet 3). Magnet on door should face toward interior when installed, while magnet on strike post should face toward exterior.

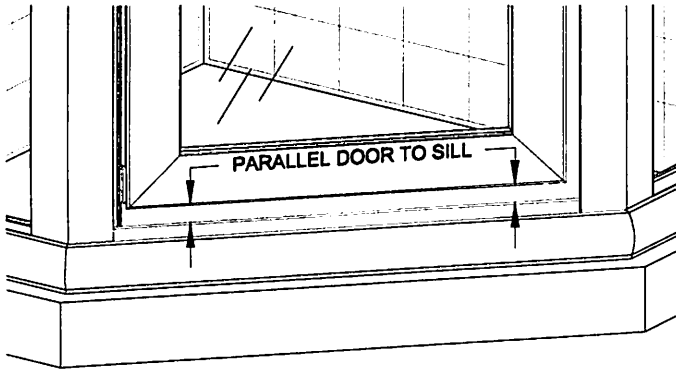
**Attach Door Handles**

Attach the Door Handles (J) to the door using two(2) Door Handle Screws (K) as shown in exploded view - sheet 3.

**Leak Proof Your Installation**

Run a bead of clear mildew resistant caulking down the full length of each Wall Jamb **outside** where the Jambs meet the Walls. Now run a bead **outside** where the Sills meets the curb. Follow caulking manufacturer's instructions before using shower (normally 24 hours). Installation is now complete.

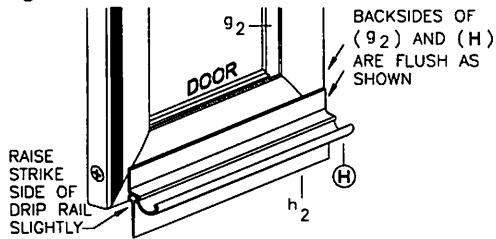
**Adjust Door Assembly**



Adjust Door Assembly (G) and Strike Post (F) as needed for proper Door operation. Note: Door Assembly bottom must always remain parallel to Sill in order for door to operate properly. When satisfied with door operation, secure Hinge Post (g1) and Strike Post (F) to the vertical posts using six(6) 638PHPT Installation Screws (T). See exploded view - sheet 3.

**Attach Drip Rail**

Clean bottom rail of door with alcohol to remove any oil. Failure to clean door rail prior to installation of Drip Rail (H) may cause tape to release. Remove backing from tape and position Drip Rail flush with backside of Hinge Stile (g2) and flush with bottom of Door as shown in figure.



Slightly elevate Drip Rail at strike side before securing to create a sloping effect. Attach a Drip Plug (I) on strike side of Drip Rail. Attach 2nd Drip Plug on hinge side after removing center of plug so Drip Rail will drain.

