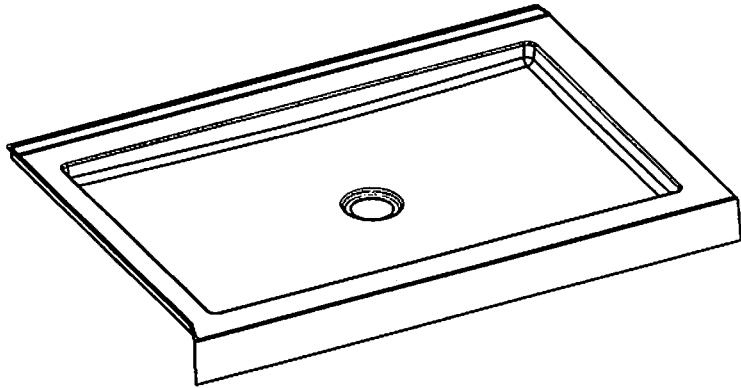
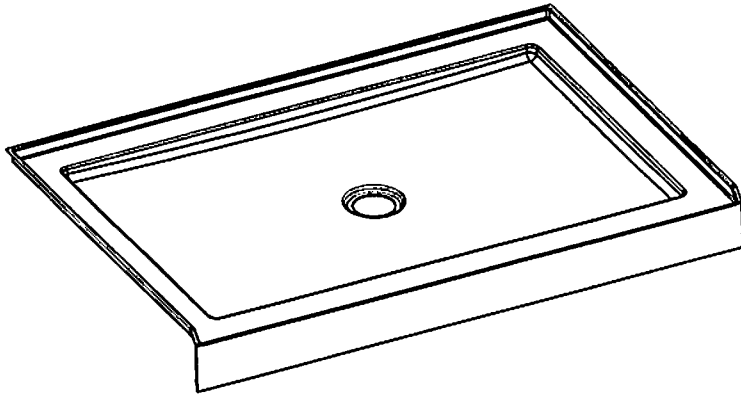


THERMAGLASS®



Installation Manual

IMPORTANT

- Thoroughly inspect your product before proceeding with the installation.
- The warranty will be void if the product is installed with a defect.

CAUTION

- To prevent leaks, silicone must be applied on the outside of the shower.
- Read all instructions carefully before starting the installation.
- Save this manual for future reference.

SITE PREPARATION

- Before proceeding amend your subfloor as needed. Ensure it is level, free of damage and provides adequate support.

THERMAGLASS®

www.therma-glass.com

(800) 547-5015

TOOLS & MATERIALS REQUIRED / OUTILS ET MATÉRIAUX REQUIS



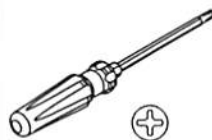
DRILL



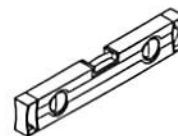
SILICONE



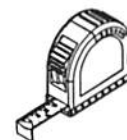
PRECISION KNIFE



SCREWDRIVER



LEVEL



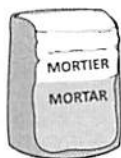
MEASURING TAPE



DRILL BITS: 1/8"



PLASTIC
FILM



MORTAR



SHIM



TROWEL



PENCIL

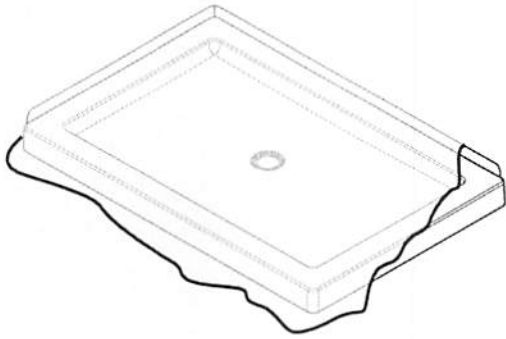


SET SQUARE

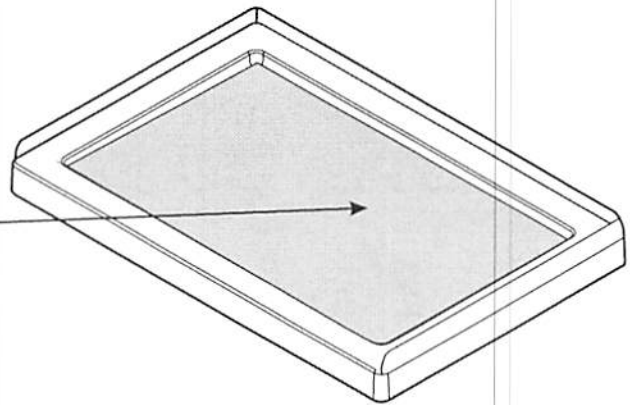
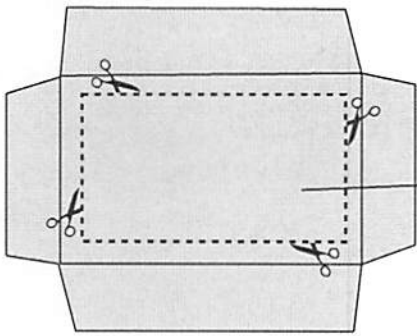
Site Preparation:

The floor under the bath must be capable of supporting 50lb/ft² or 240 kg/M². The alcove frame must be plumb and square. The floor must be level.

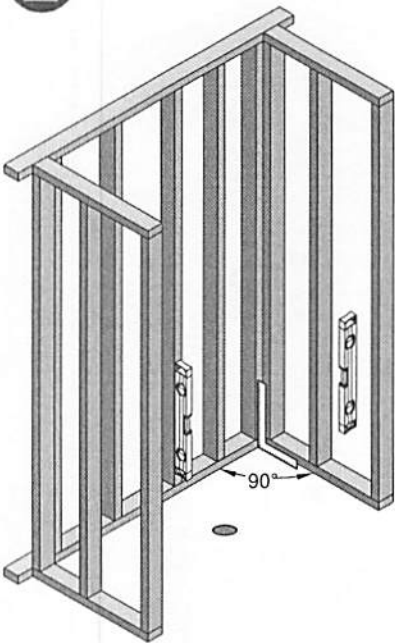
1



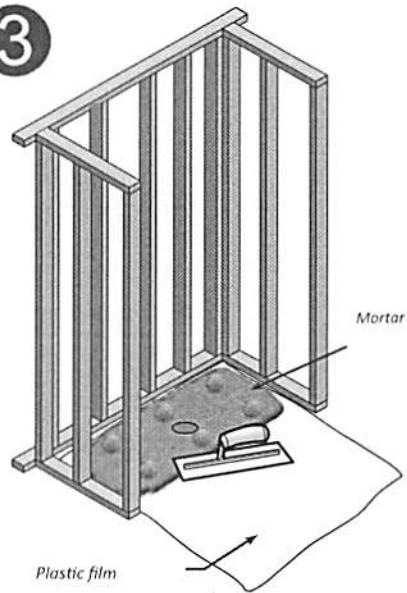
Remove protective plastic film



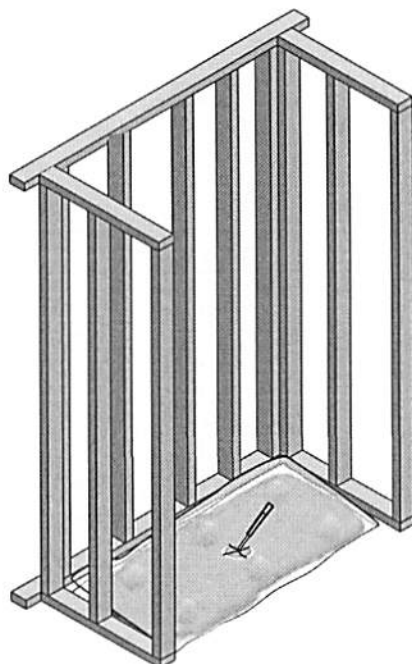
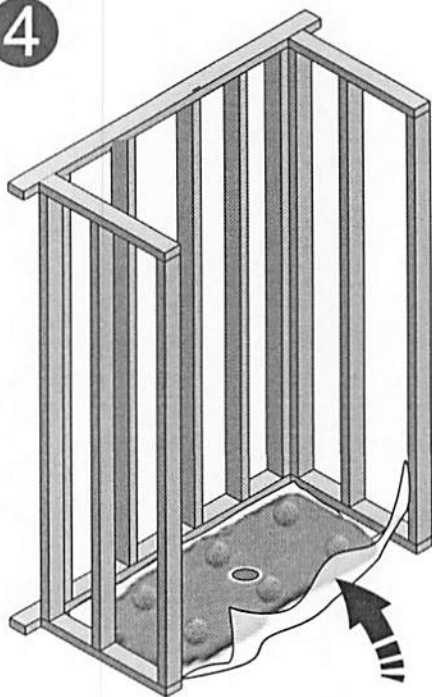
2



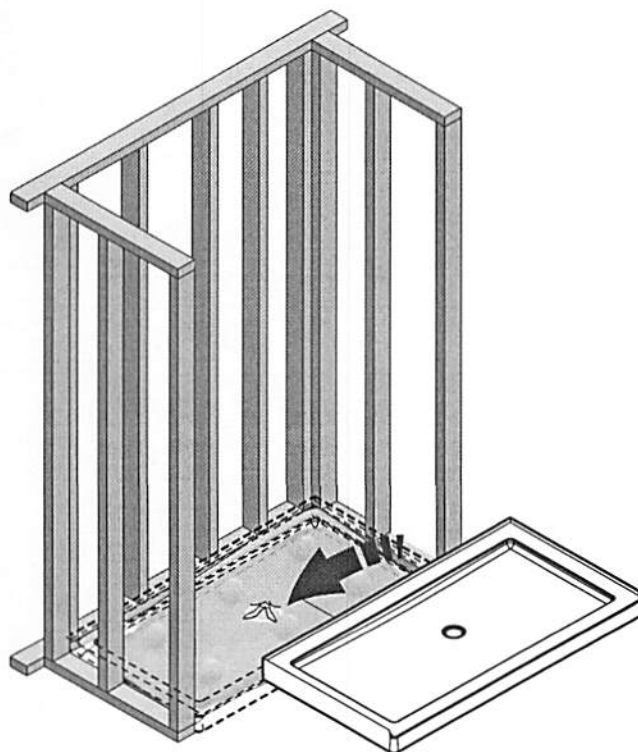
3



4

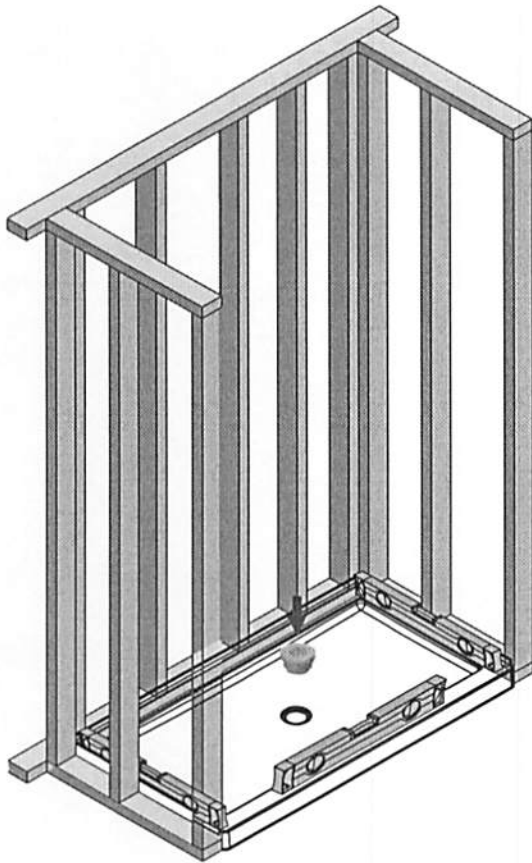


5



3

6

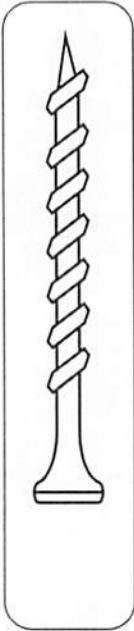


IMPORTANT:
Test the base to check for good drainage and leaks before proceeding.

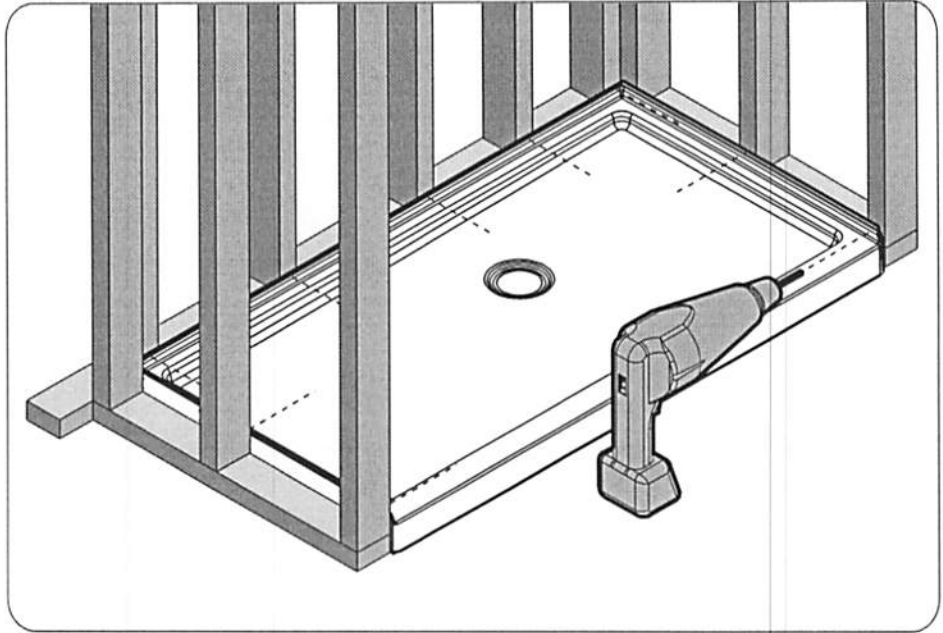
7



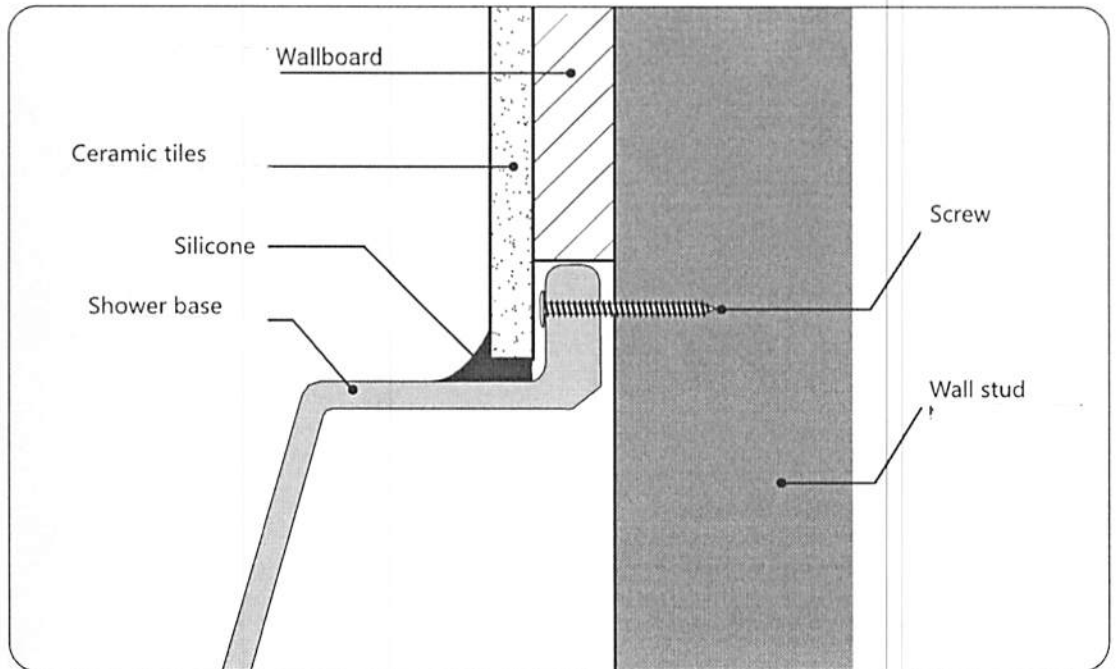
A



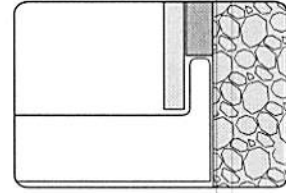
B



IMPORTANT

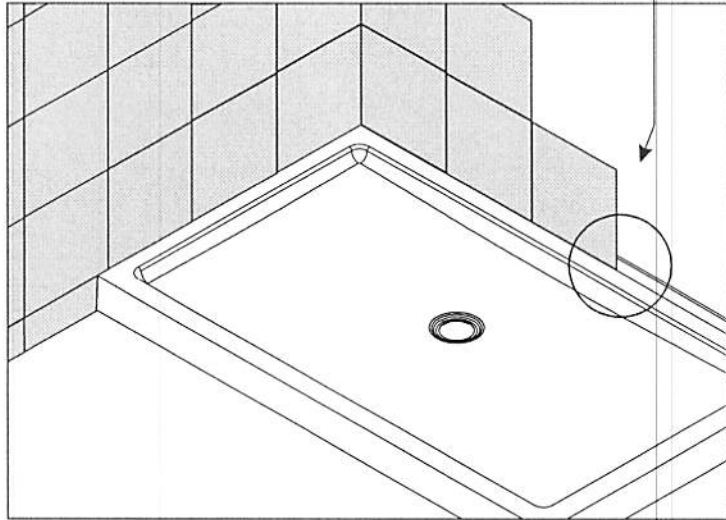


8



WARNING!

Wait 24h before proceeding with the installation of the shower door. This will ensure that the silicone and mortar are dry.



9

