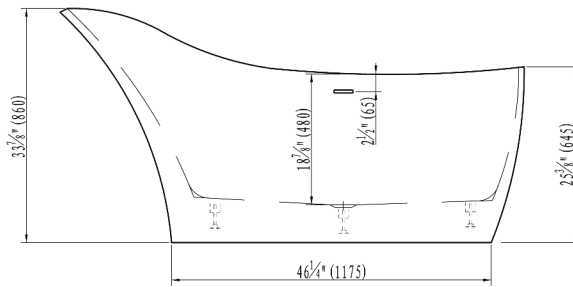
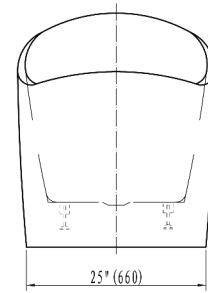
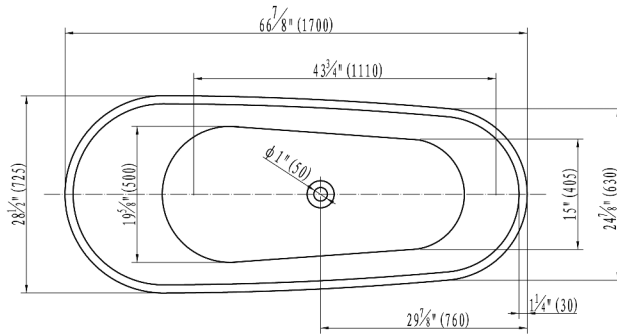
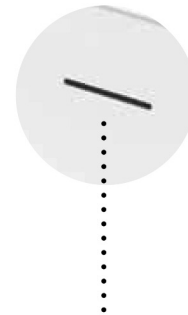


# OSWEGO



Tolerance on dimensions:  $\pm 1/4''$



CLEAN SLOTTED  
OVERFLOW