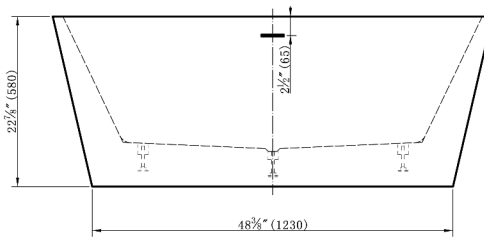
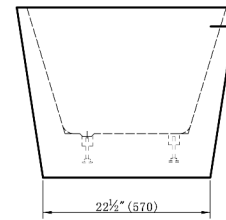
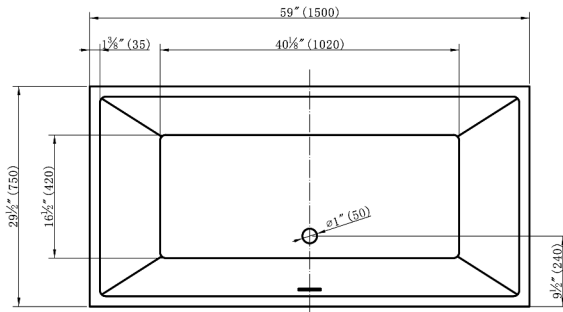


BELLEVUE Petite



Tolerance on dimensions: $\pm 1/4"$



CLEAN SLOTTED
OVERFLOW