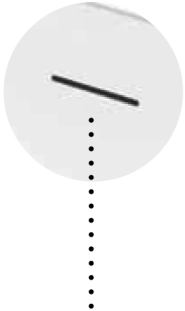
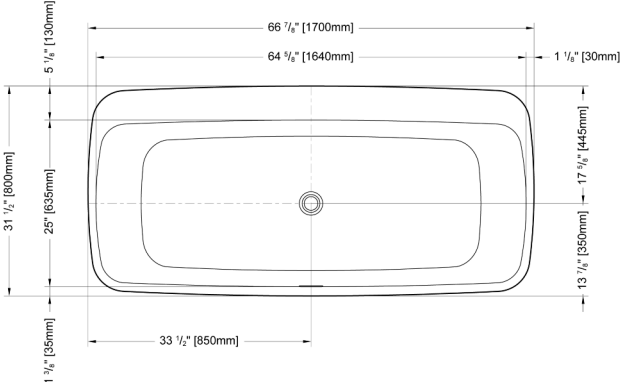
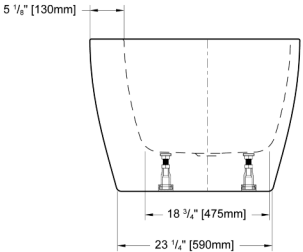
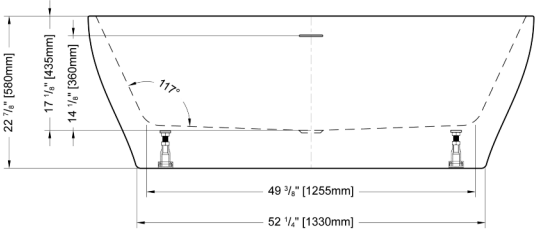


# ALDERBROOK Grande



CLEAN SLOTTED  
OVERFLOW



Tolerance on dimensions: ± 1/4" (6 mm)