

Trillium Shower Door

Item No.
TRI-6080-SC
TRI-6080-MBC
TRI-6080-BNC



22.10.12 A01

◆ General information

Please inspect the product immediately upon receipt for transit damage, missing packs/parts or manufacturing fault. Damage reported later cannot be accepted. Please handle the product with care avoiding knocks and shock loading to all sides and edges of the glass.











Note: Safety glass can not be re-worked.

- Please read these instructions carefully before start of installation.
- Special care should be taken when drilling walls to avoid hidden pipes or electrical cables.
- Note: this product is heavy and required two persons install.

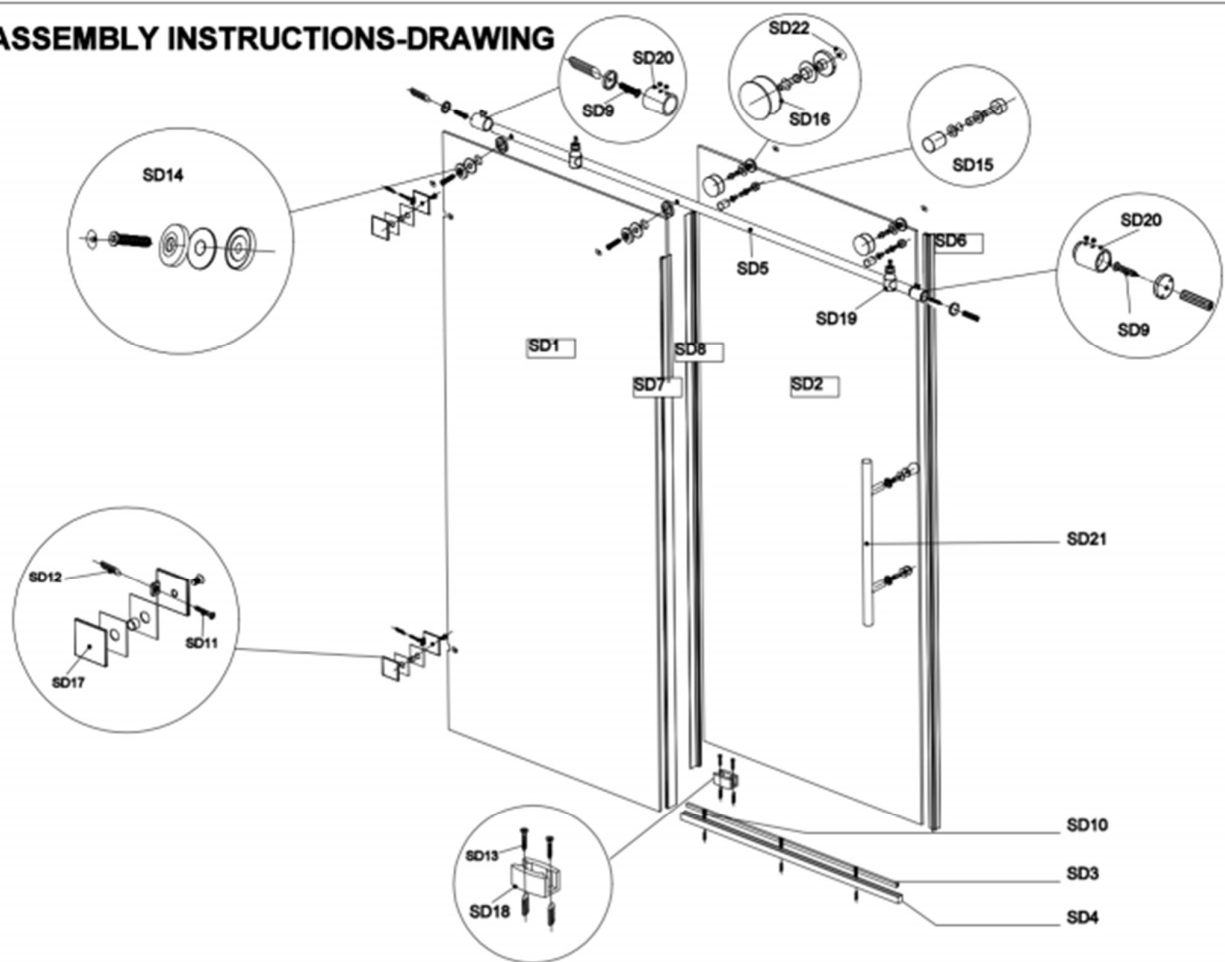
Aftercare instructions

- After use, your shower should be cleaned with soap and water. This is particularly important in hard water districts where insoluble lime salts may be deposited and allowed to build up.
- Cleaners of gritty or abrasive nature should not be used. Care should be taken to avoid contact with strong chemicals such as organic solvents and strippers.
- Glass cleaners can be used but with caution, if in doubt contact the manufacturer of the cleaner in question.
- Please keep these instructions for aftercare and customer service details.

TOOLS REQUIRED

| DESCRIPTION | PART IMAGE | DESCRIPTION | PART IMAGE |
|----------------|---|------------------------|---|
| Tape measure |  | Drill |  |
| Spirit level |  | Hammer |  |
| Pencil |  | Cross head Screwdriver |  |
| Ø8mm Drill bit |  | Inner hexagon Spanner |  |
| Ø6mm Drill bit |  | Silicone Sealant |  |

ASSEMBLY INSTRUCTIONS-DRAWING

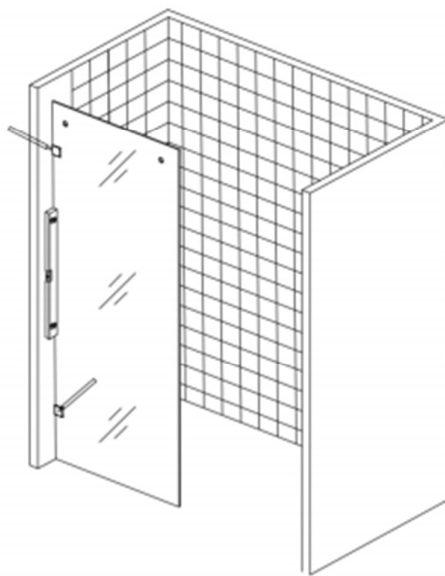


| | | | | |
|-----------------------------------|------------------------------------|------------------------------------|-----------------------|------------------------------------|
| SD9 30 ST4 2X | SD10 25 ST4 3X | SD11 30 ST4 2X | SD12 9X | SD13 25 ST4 2X |
| SD14 2X | SD15 2X | SD16 2X | SD17 2X | SD18 1X |
| SD19 2X | SD20 2X | SD21 1X | SD22 4X | Page 2 |

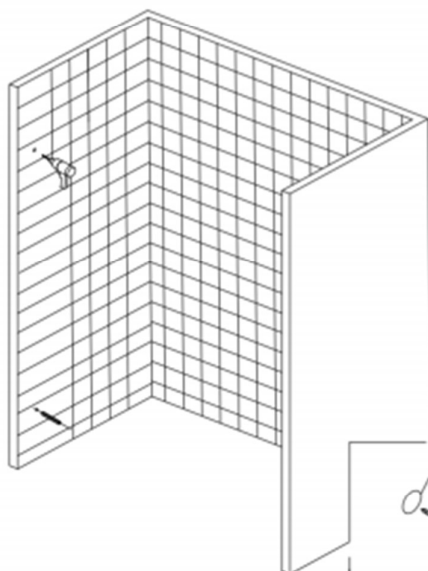
ASSEMBLY INSTRUCTIONS



1



2

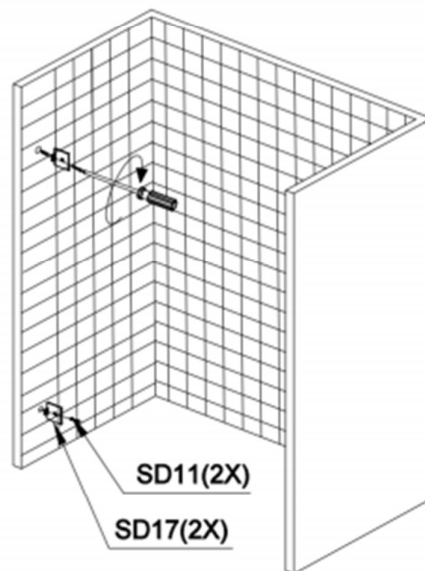


Ø6

SD12(2X)



3

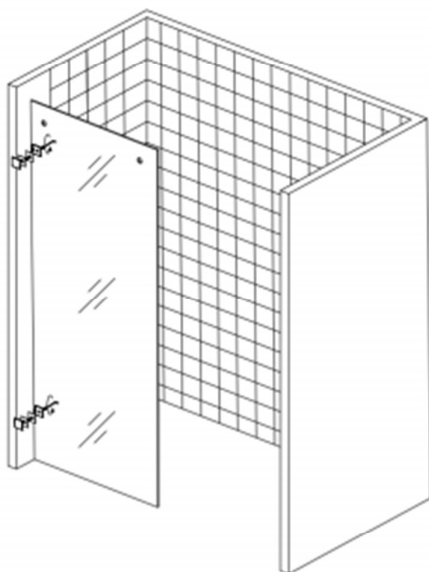
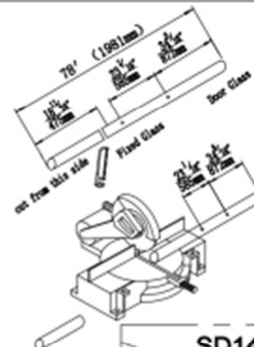
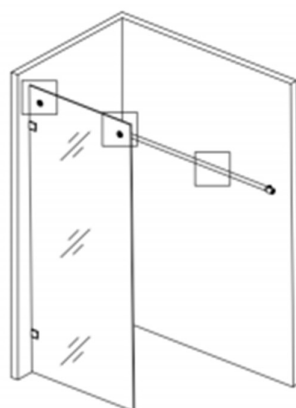


SD11(2X)

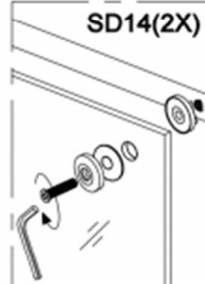
SD17(2X)

4

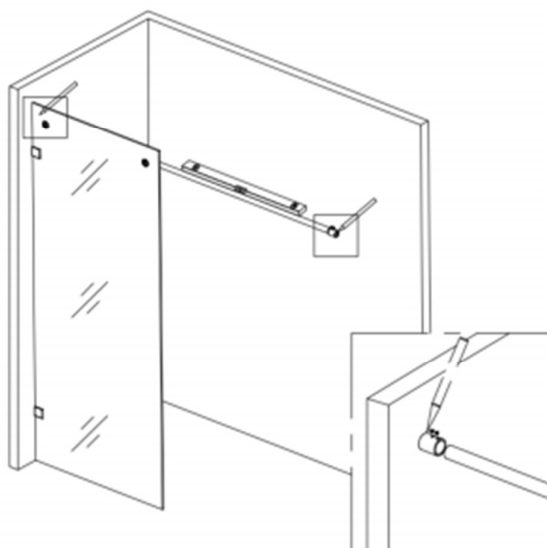
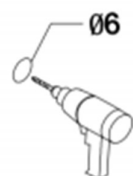
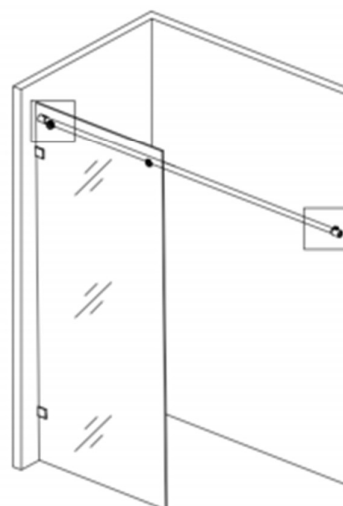
SD17(2X)

**5**

SD14(2X)

**6**

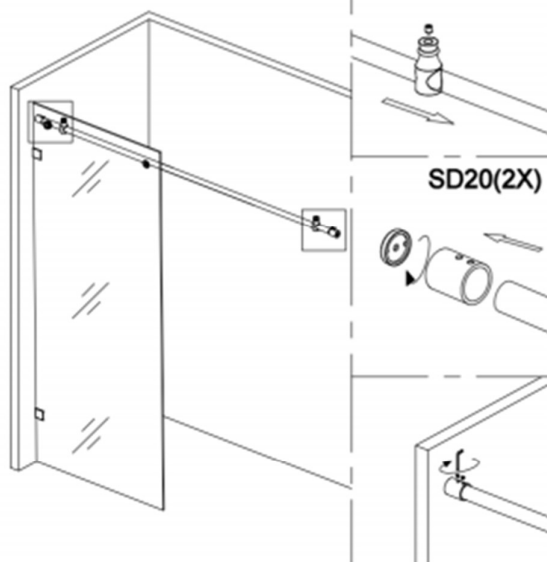
SD20(2X)

**7**

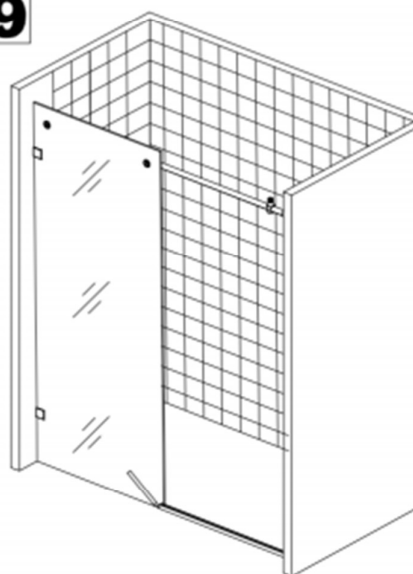
SD9(2X)

8

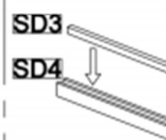
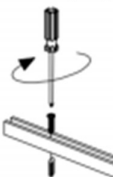
SD19(2X)



SD20(2X)

**9**

SD10(3X)

SD3
SD4

