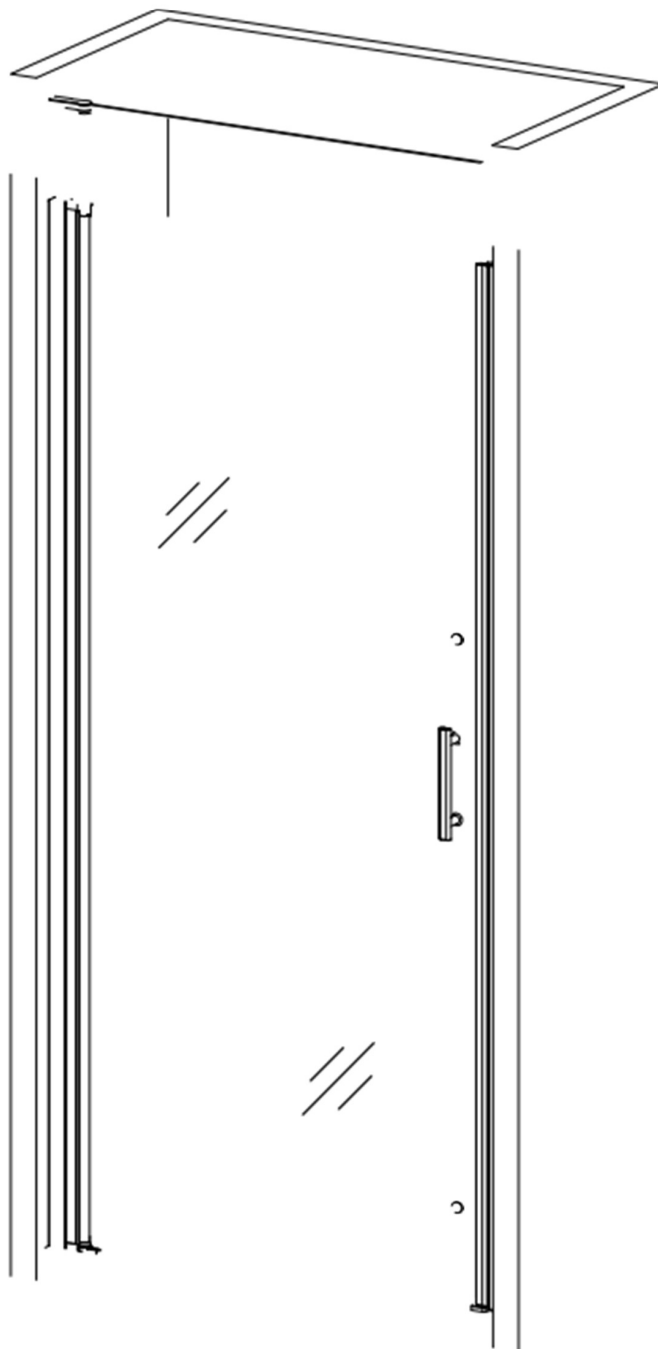


Presidio Shower Door

Item No.
PRE-3672-SC
PRE-3672-MBC
PRE-3672-BNC





20.08.21 A01)

◆ General information

Please inspect the product immediately upon receipt for transit damage, missing packs/parts or manufacturing fault. Damage reported later cannot be accepted. Please handle the product with care avoiding knocks and shock loading to all sides and edges of the glass.







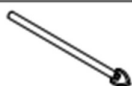

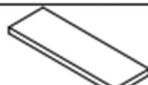

Note: Safety glass can not be re-worked.

- Please read these instructions carefully before start of installation.
- Special care should be taken when drilling walls to avoid hidden pipes or electrical cables.
- Note: this product is heavy and required two persons install.

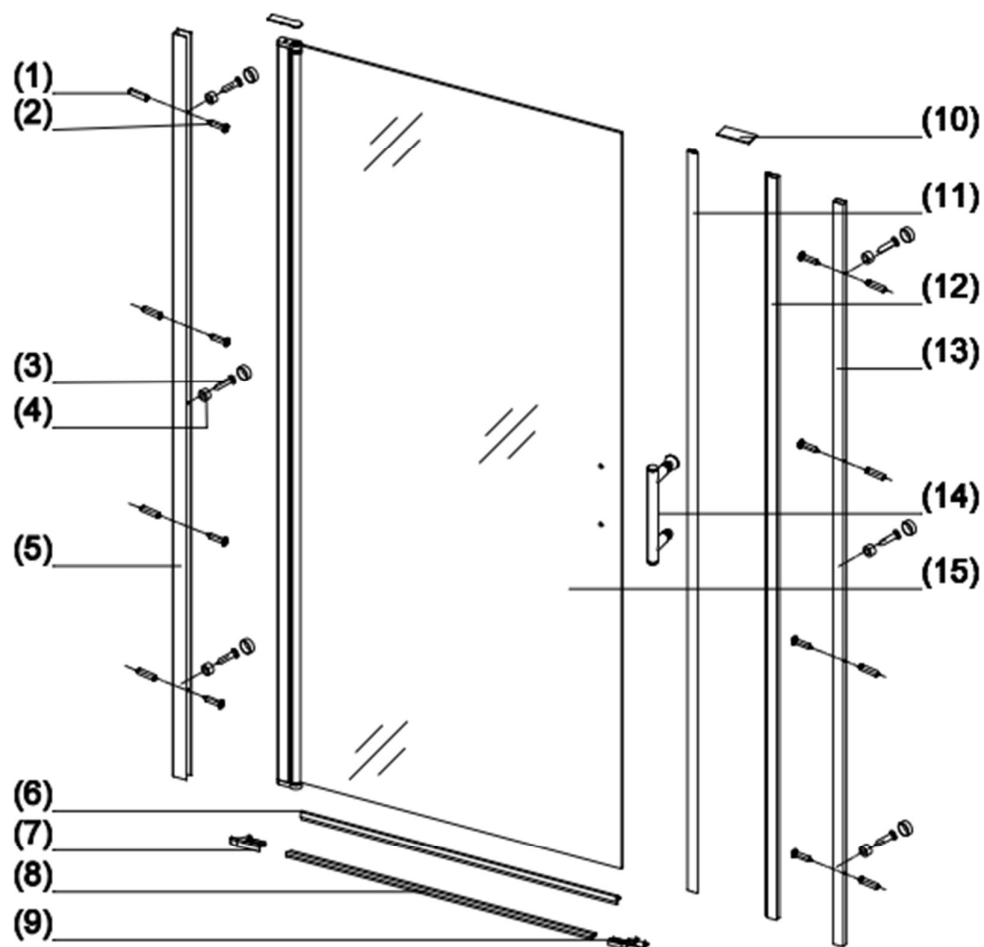
Aftercare instructions






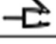



- After use, your shower should be cleaned with soap and water. This is particularly important in hard water districts where insoluble lime salts may be deposited and allowed to build up.
- Cleaners of gritty or abrasive nature should not be used. Care should be taken to avoid contact with strong chemicals such as organic solvents and strippers.
- Glass cleaners can be used but with caution, if in doubt contact the manufacturer of the cleaner in question.
- Please keep these instructions for aftercare and customer service details.




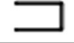

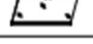
TOOLS REQUIRED

DESCRIPTION	PART IMAGE	DESCRIPTION	PART IMAGE
Tape measure		Drill	
Spirit level		Hammer	
Pencil		Cross head Screwdriver	
Ø6/3.2mm Drill bit		Inner hexagon Spanner	
20mm Thick board		Silicone Sealant	

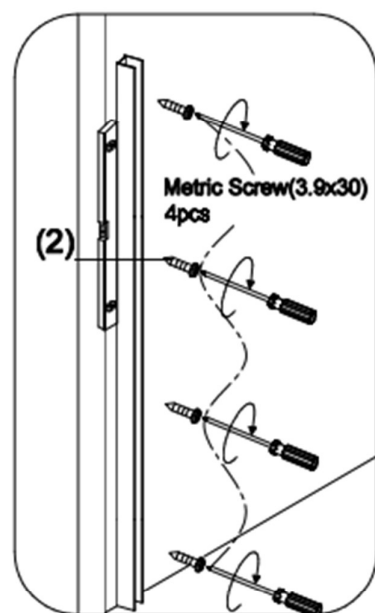
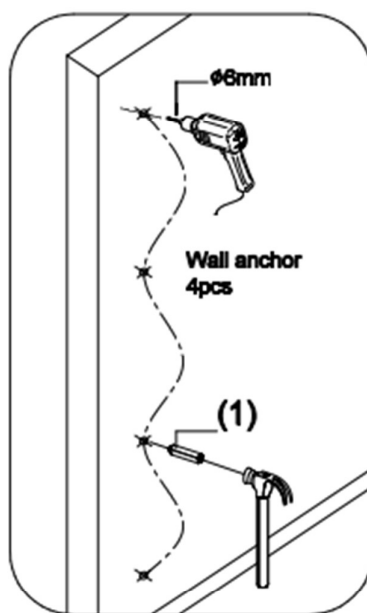
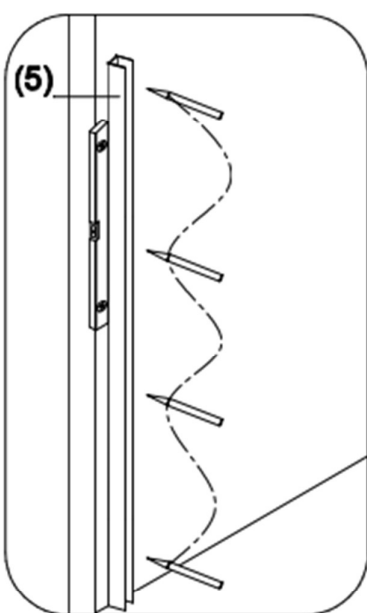
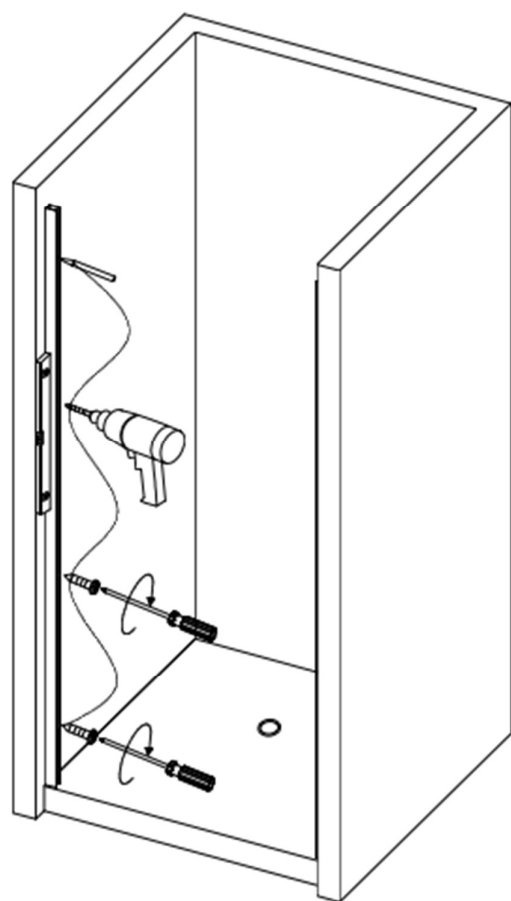
ASSEMBLY INSTRUCTIONS-DRAWING



NO.	Description	QTY	Diagram
1	Wall anchor	8	
2	Metric Screw(3.9x30)	8	
3	Metric Screw(3.9x10)	6	
4	Screw cover cap	6	
5	Wall jamb	1	
6	Water retaining rubber strip	1	
7	Retaining block	2	
8	Water retaining aluminium strip	1	
9	Retaining block	2	

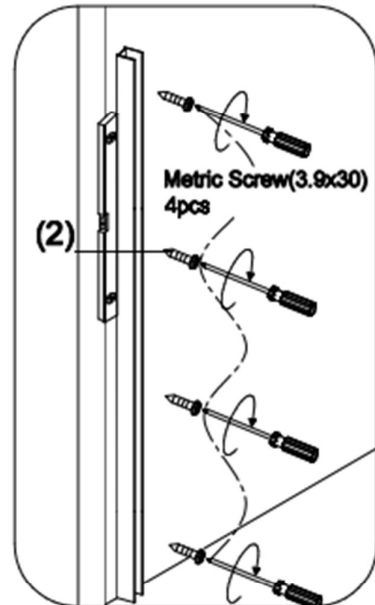
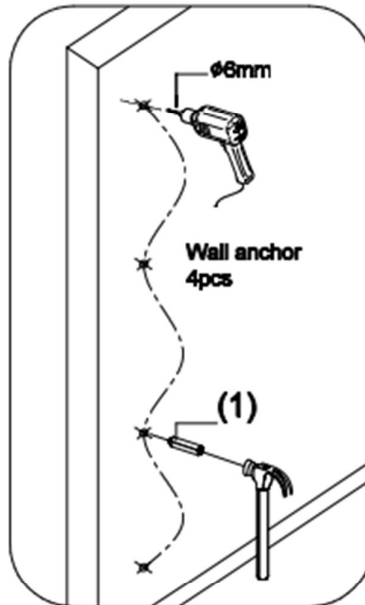
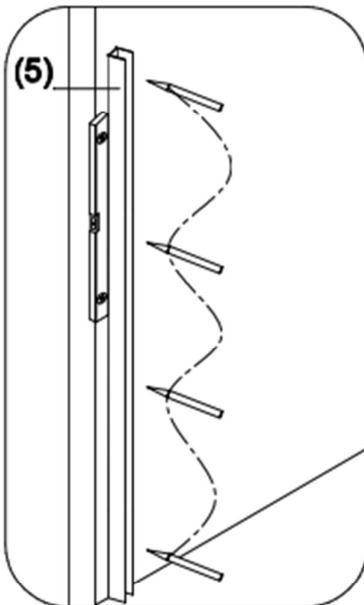
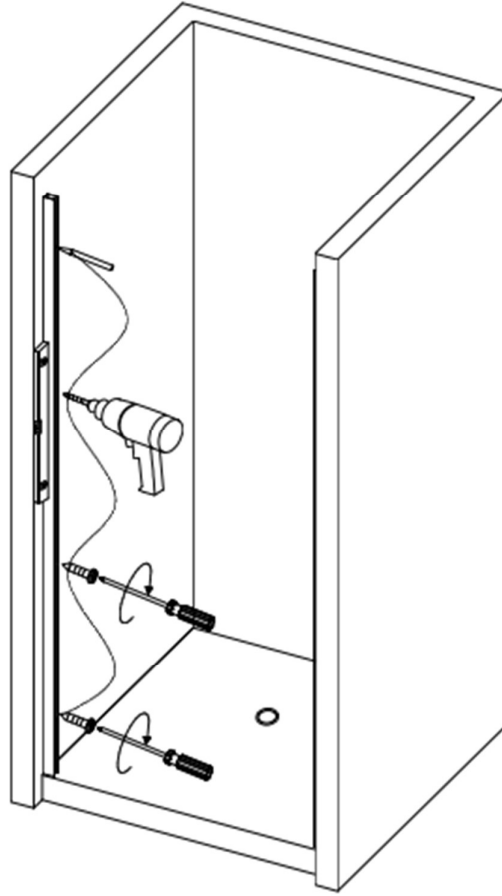
NO.	Description	QTY	Diagram
10	Decorative cover	2	
11	Magnetic adhesive strip	1	
12	Wall jamb	1	
13	Wall jamb	1	
14	Handle	1	
15	Movable glass	1	
16			
17			
18			

Step 1

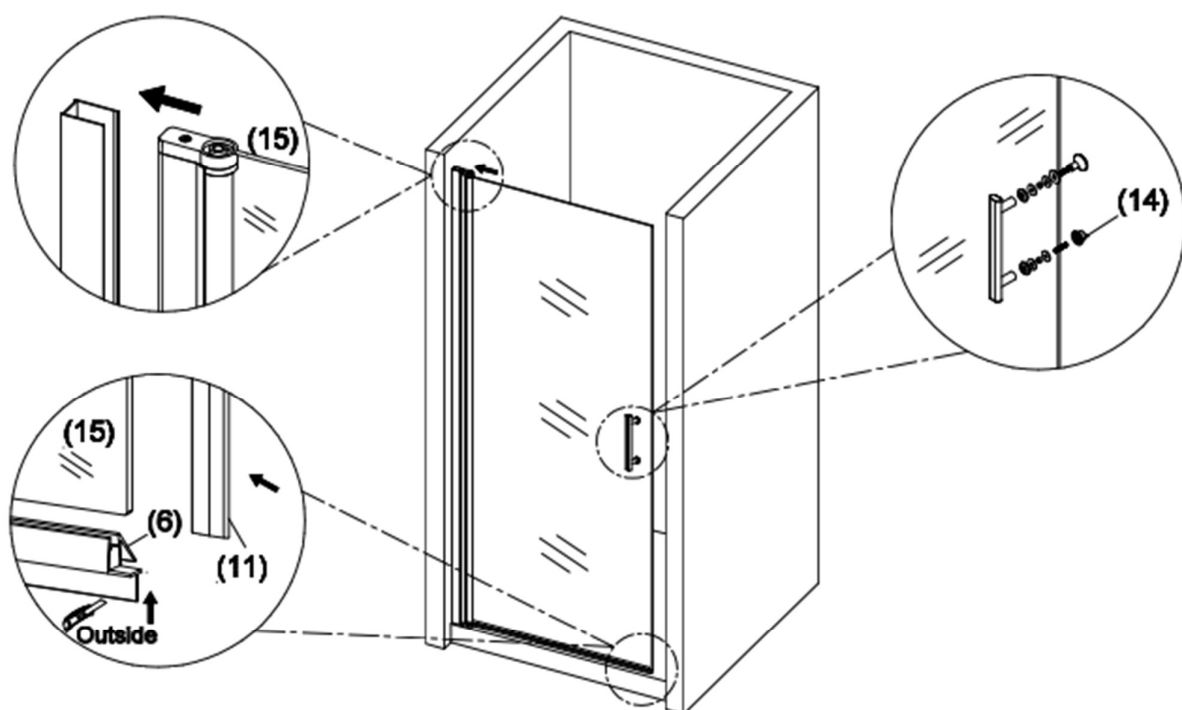


Step 1

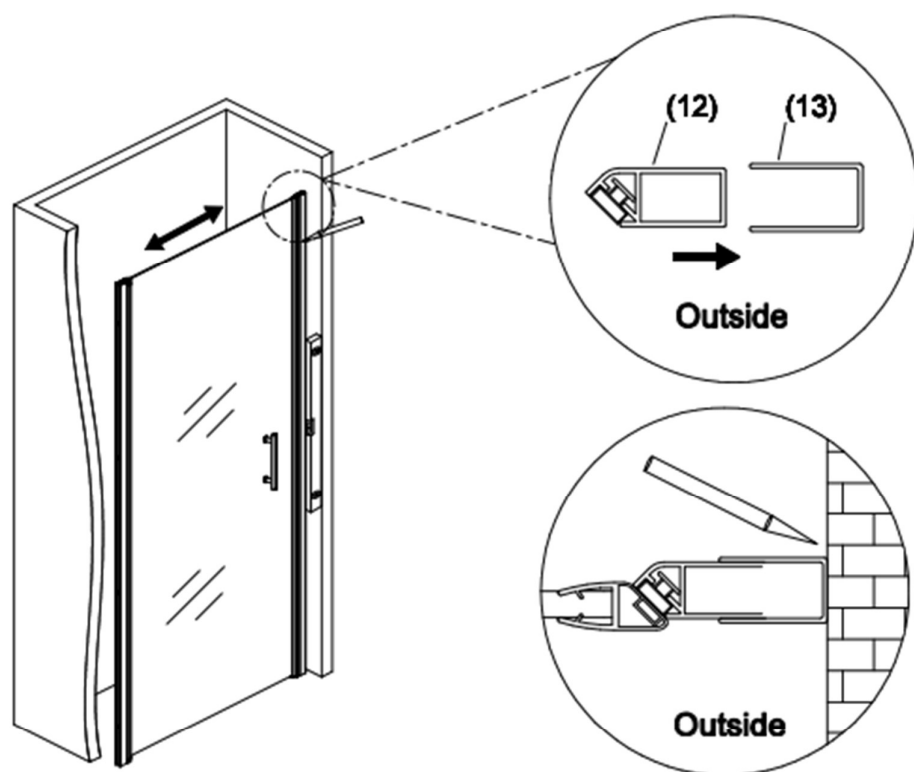
/ 0.23"



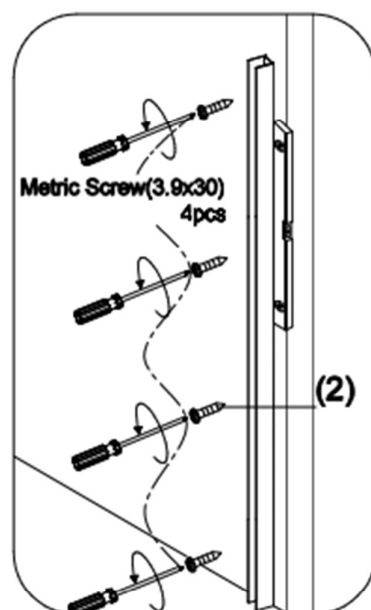
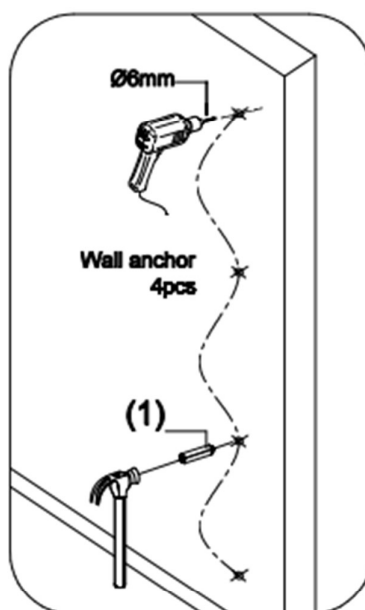
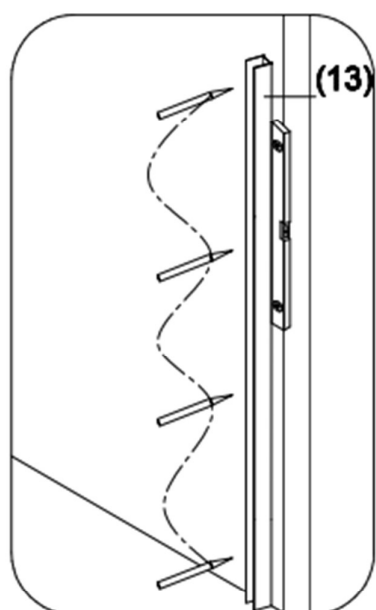
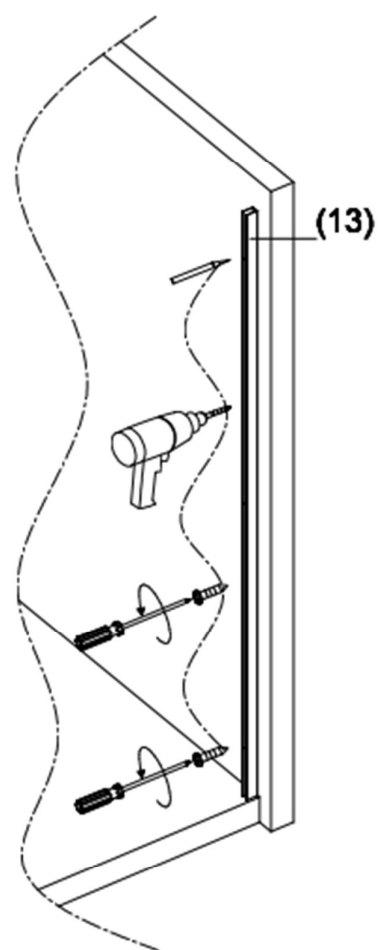
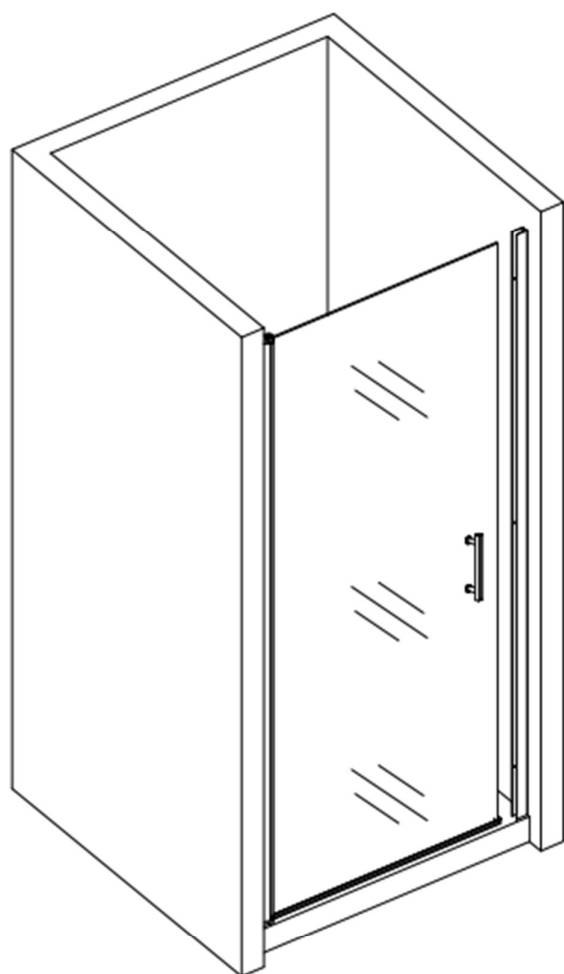
Step 2



Step 3

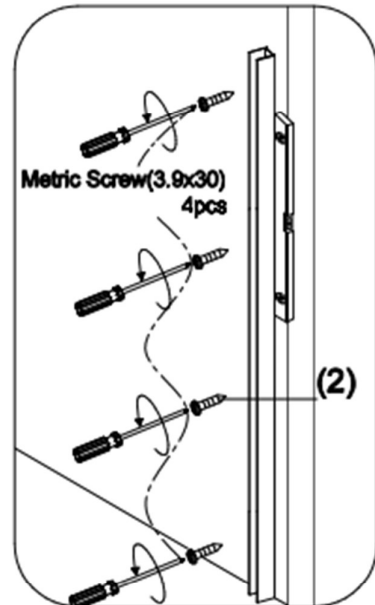
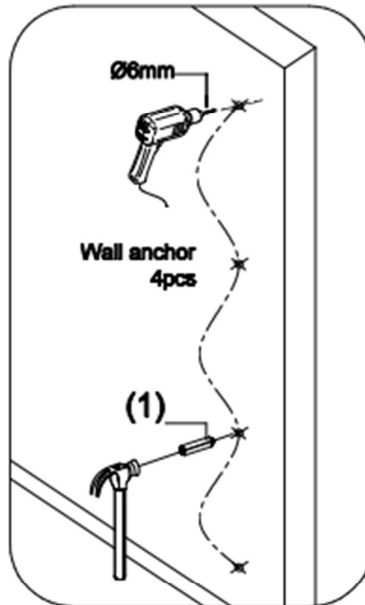
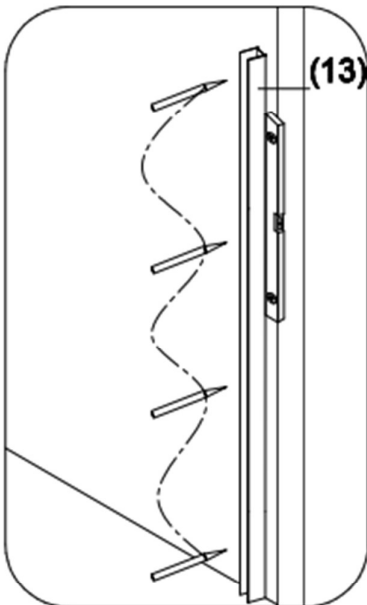
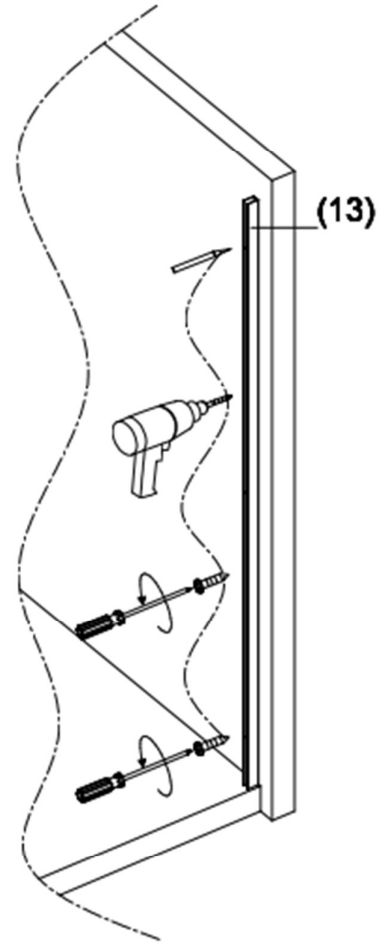
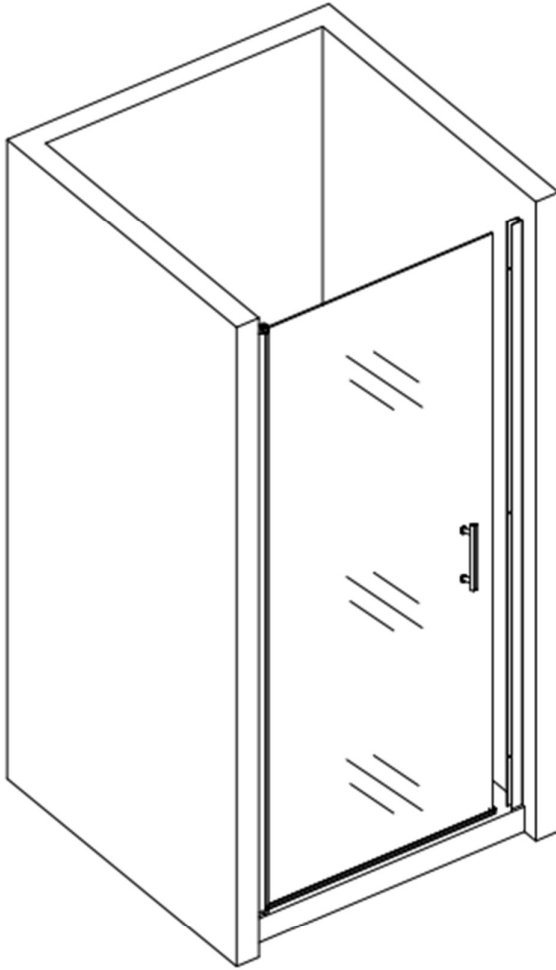


Step 4

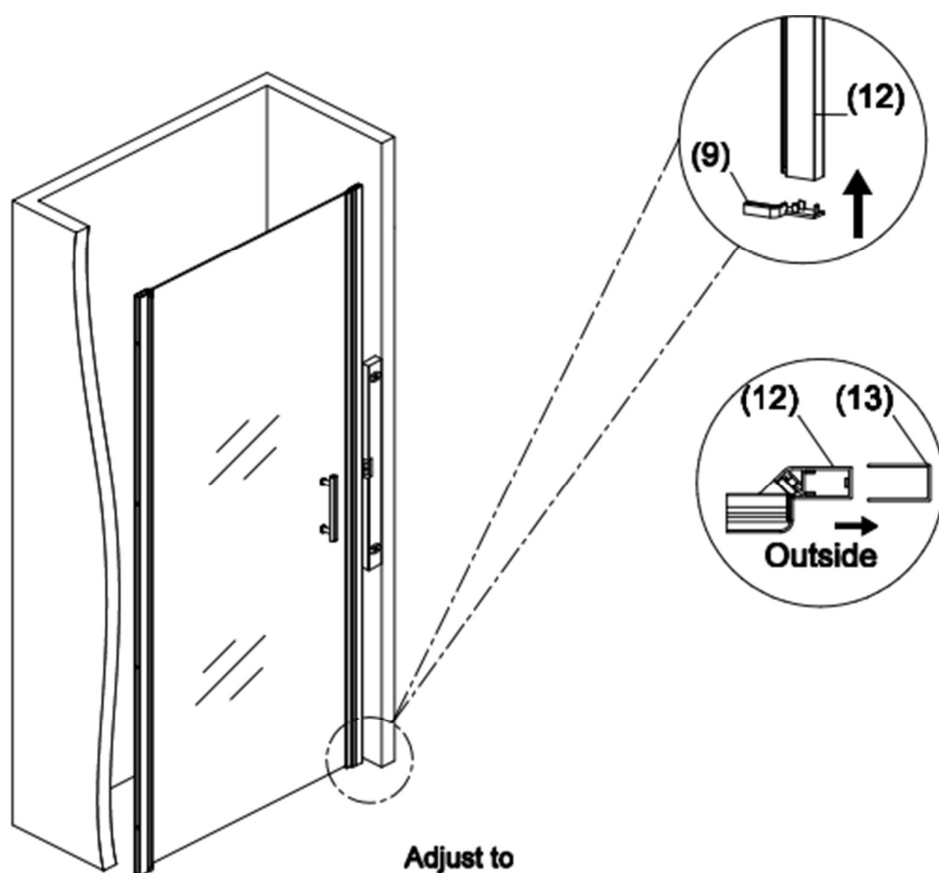


Step 4

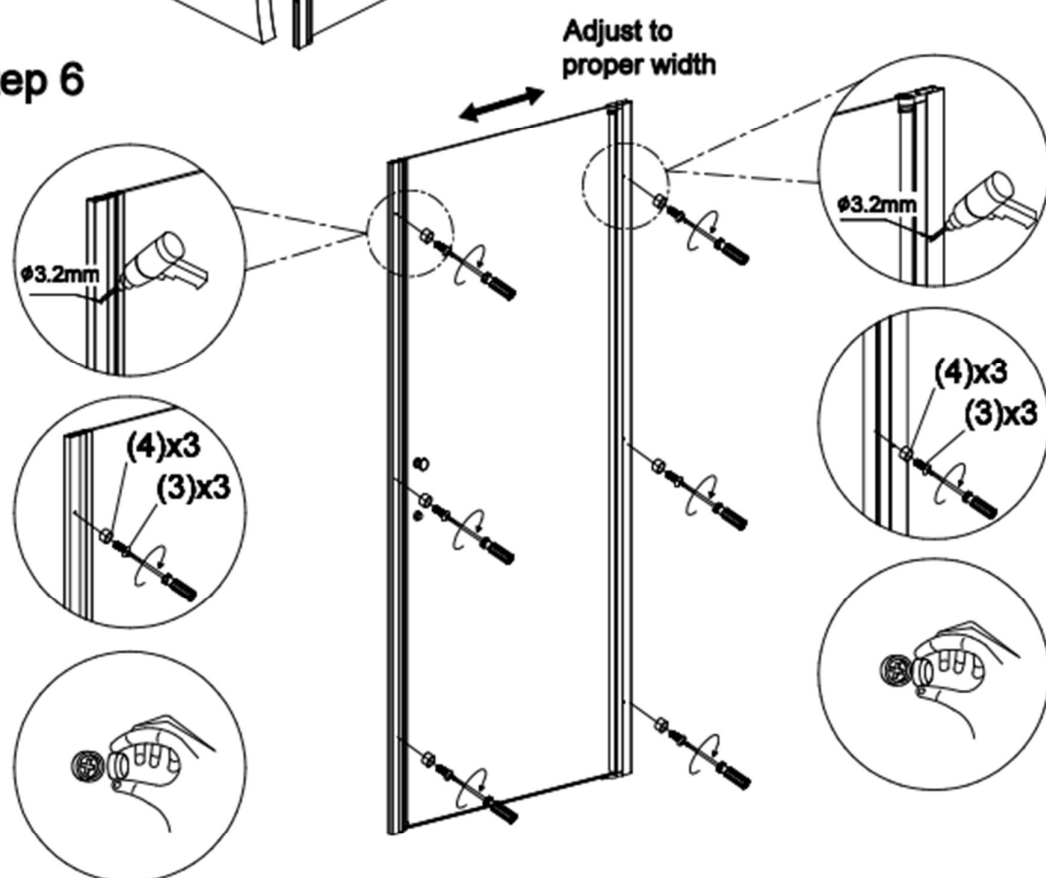
0.23"/



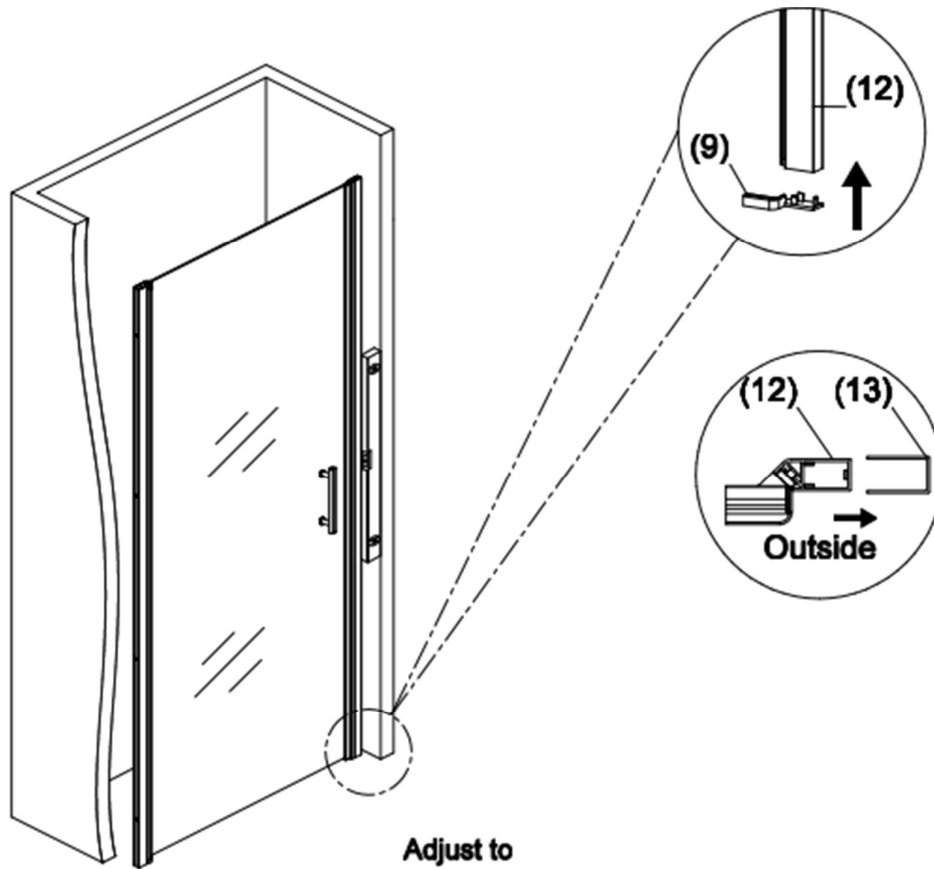
Step 5



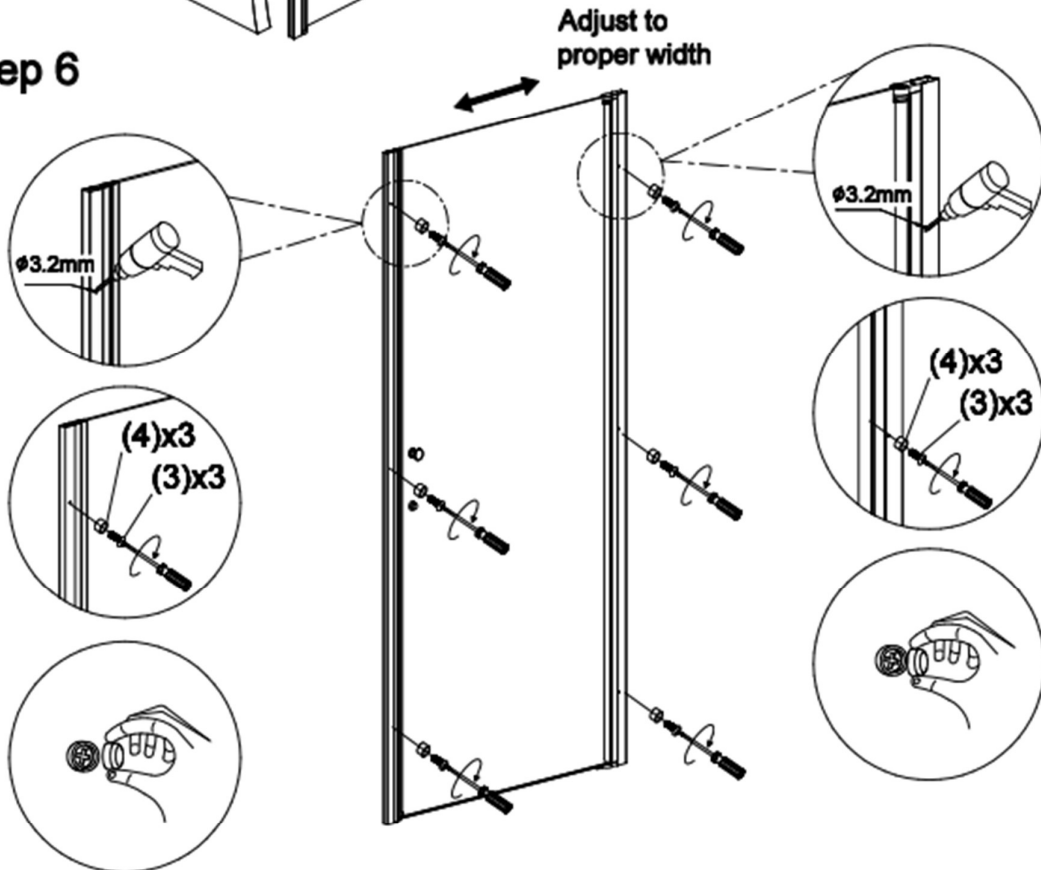
Step 6



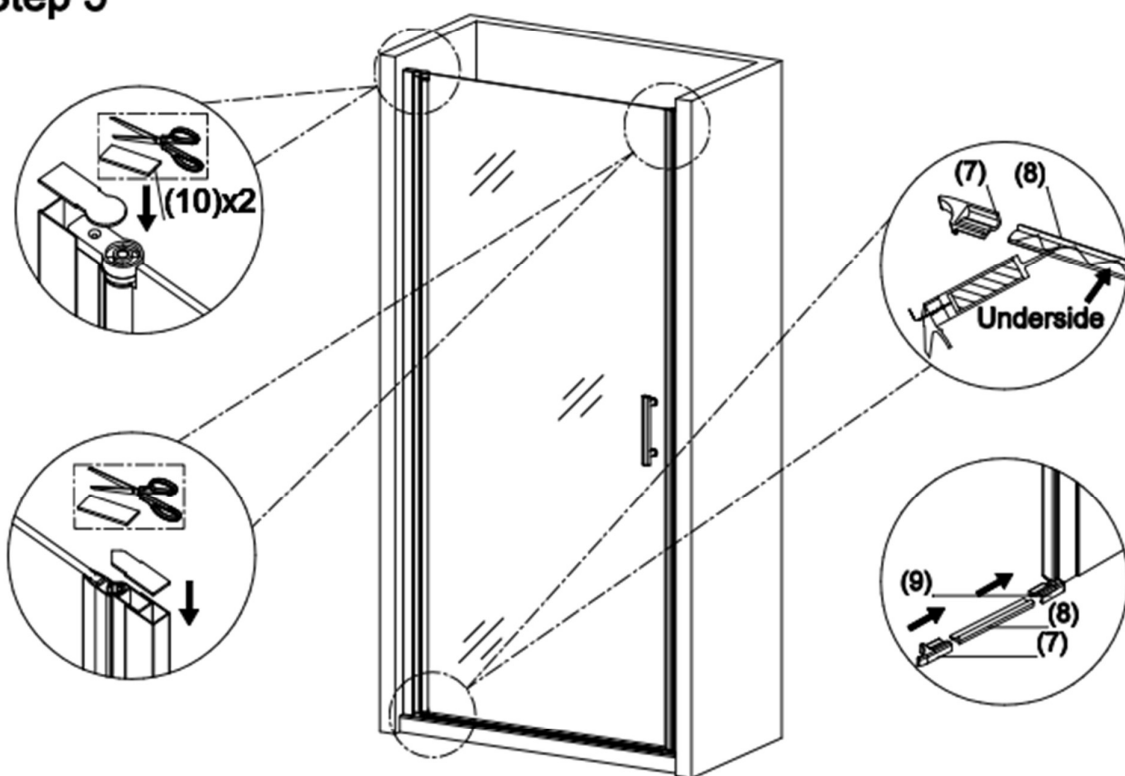
Step 5



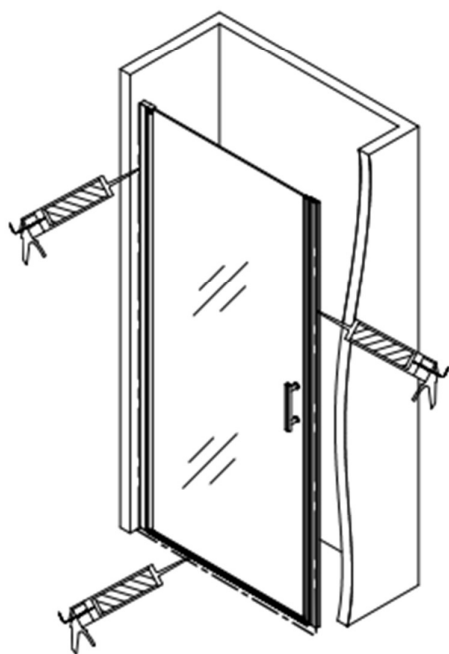
Step 6



Step 5



Step 6



**Allow 24 hours for silicone to dry before use.
Silicone on the outside edge only**