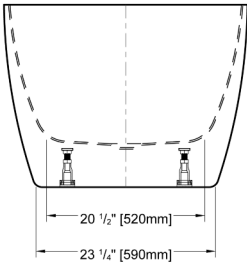
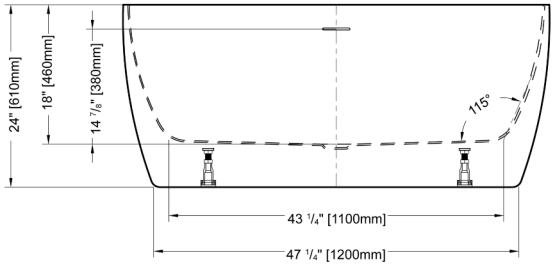
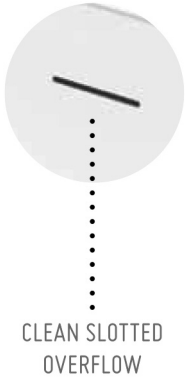
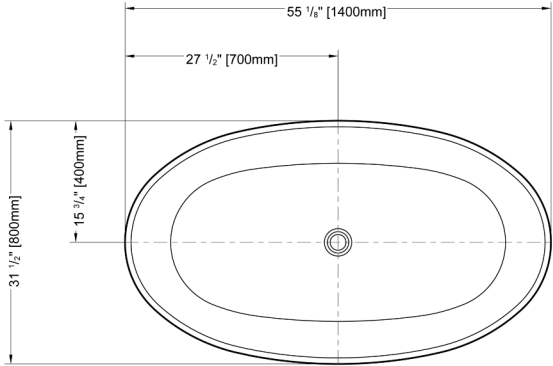


ALAMEDA Petite



Tolerance on dimensions: ± 1/4" (6 mm)