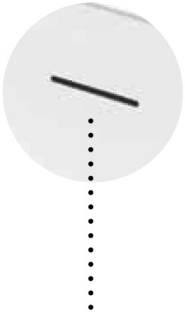
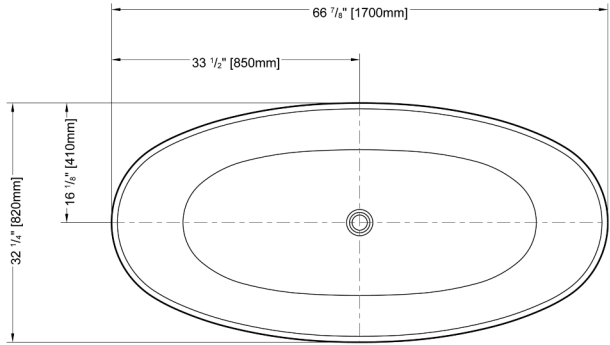
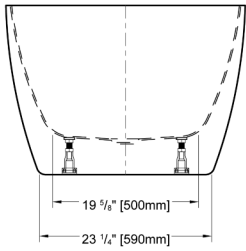
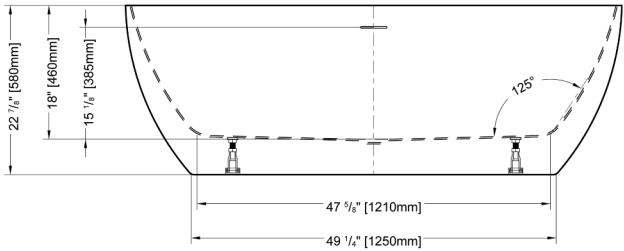


ALAMEDA Grande



CLEAN SLOTTED
OVERFLOW



Tolerance on dimensions: $\pm 1/4$ " (6 mm)