

THERMAGLASS[®]

new Cascade

Alcove Tub



Model	Price	Size	Color
BG-2763-6030R	\$895	59 ¾" x 30" x 21 ½"	White
BG-2763-6030L	\$895	59 ¾" x 30" x 21 ½"	White
BG-2763-6032R	\$895	59 ¾" x 32" x 21 ½"	White
BG-2763-6032L	\$895	59 ¾" x 32" x 21 ½"	White

IN STOCK
Ready to Ship.

Ten Year Limited Warranty

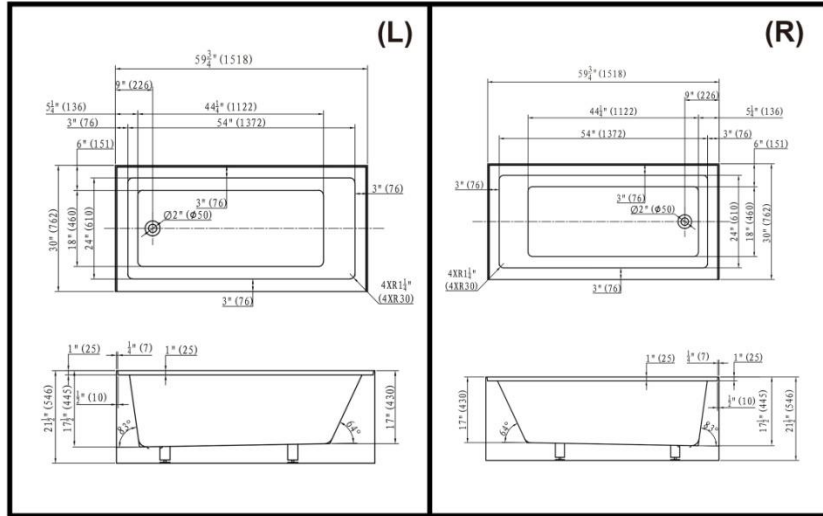
THERMAGLASS[®]

www.therma-glass.com

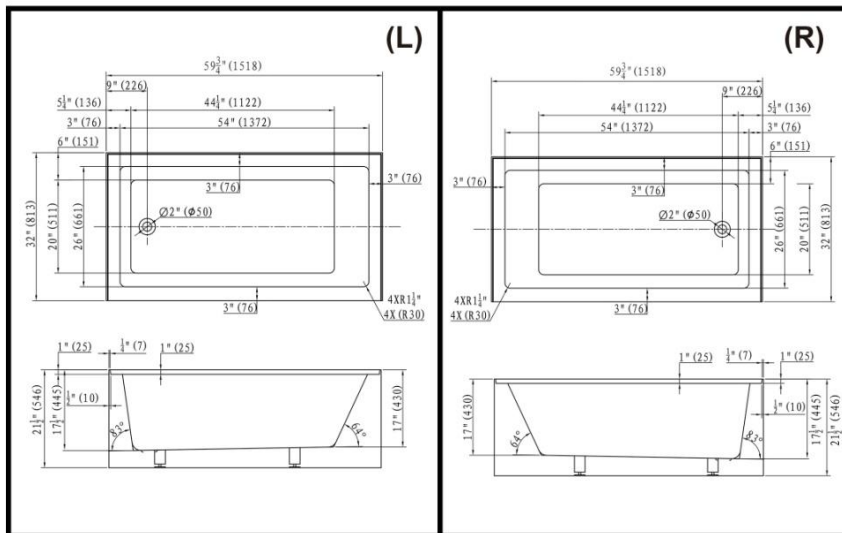
new Cascade

Alcove Tub

BG-2763-6030 (L) (R)



BG-2763-6032 (L) (R)



THERMA GLASS

Fax: 503 653-3977

Email: sales@therma-glass.com

(800) 547-5015

www.therma-glass.com